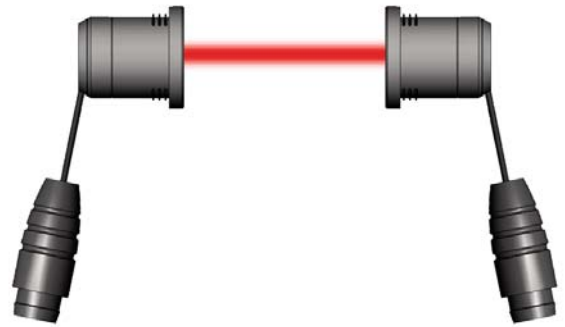


ELS 300 product family

... safeguards indoors and outdoors!



IEC 61496-2 EN 13849-1



Features

- Type 2 sensor suitable for Cat. 2 applications
- Integrated controller
- Various operating ranges available
- PNP or NPN output, light or dark switching available
- Very resistant to ambient light
- For indoor or outdoor applications
- Excellent detection capability even in harsh conditions
- Small and sleek design with plug-and-play concept
- Various mounting adapters available
- Simple mounting: snap into a 12.5 mm diameter drill-hole
- Comprehensive range of cables
- Multiple ELS 300 connectable to a network using Y-switch

Technical data

Device type	Description	Operating range (m)	Max. angle of paraxial detection
ELS 300 Tx-NA	Narrow aperture	0.2 ... 1.2 (with Rx- ... -NA)	±2° at 1.2 m
ELS 300 Tx-N	Standard range	0.5 ... 6.0	±5° at 3.0 m
ELS 300 Tx-L	Long range	1.0 ... 12.0	±5° at 3.0 m

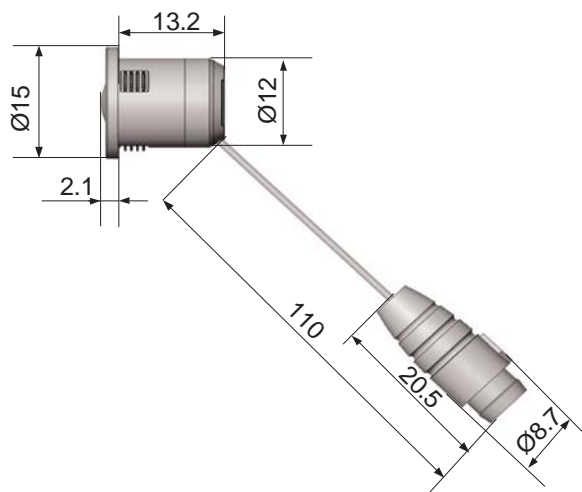
Device type	Description	Response time	Max. angle of paraxial detection
ELS 300 Rx-PNP/LO-N	Standard PNP, LO	< 20 ms	±5° at 3.0 m
ELS 300 Rx-PNP/DO-N	Standard PNP, DO	< 20 ms	±5° at 3.0 m
ELS 300 Rx-NPN/LO-N	Standard NPN, LO	< 20 ms	±5° at 3.0 m
ELS 300 Rx-NPN/DO-N	Standard NPN, DO	< 20 ms	±5° at 3.0 m
ELS 300 Rx-NPN/DO-NA	Narrow aperture NPN, DO	< 20 ms	±2° at 1.2 m
ELS 300 Rx-NPN/LO-NA	Narrow aperture NPN, LO	< 20 ms	±2° at 1.2 m
ELS 300 Rx-PNP/LO-NA-F	Narrow aperture PNP, LO, fast	< 5 ms	±2° at 1.2 m
ELS 300 Rx-PNP/DO-NA-F	Narrow aperture PNP, DO, fast	< 5 ms	±2° at 1.2 m

Electrical data		General data	
Supply voltage U_{sp}	10 ... 30 VDC	Temperature range storage	-40 °C ... +85 °C
Ripple at U_{sp}	±10%	Temperature range operation	-40 °C ... +60 °C
Output	PNP or NPN	Max. ambient light	100,000 Lux
Max. output current	50 mA	Cable Rx	Gray with 4-pin M8 Connector, male, 0.15 m pig-tail
Max. capacitive load	100 nF	Cable Tx	Black with 4-pin M8 Connector, male, 0.15 m pig-tail
Output saturation voltage	< 4 V	Cable material	PVC
Polarity protection	Yes	LEDs	Green (rear), Tx: Indicates power, Rx: Indicates output
Curr. consumption Tx	< 10 mA at 30 VDC	Enclosure rating	IP65
Curr. consumption (Rx w/o load)	< 10 mA at 30 VDC	Safety category	DIN 18650-1: 2005, EN ISO 13849-1: 2006, EN ISO 13849-2: 2003, IEC 61496-2: 2006, EN 12453: 2000, EN 12978: 2003
		RoHS	Fulfilled 2002/95/EC
		Certificates	CE, TÜV

DATASHEET

Dimensions

ELS 300 Tx-N/-NA ELS 300 Rx-...



ELS 300 Tx-L

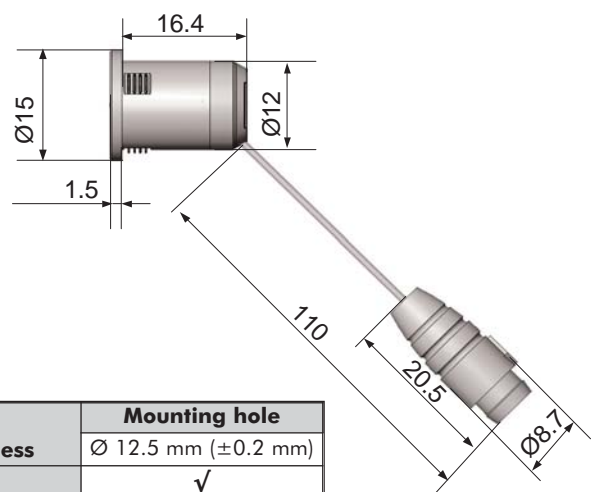


Plate thickness	Mounting hole
	Ø 12.5 mm (±0.2 mm)
> 1.25 mm	✓

(All dimensions in mm)

Ordering information

Part no.	Type	Description
Emitters		
105 925	ELS 300 Tx-NA	Narrow aperture
105 728	ELS 300 Tx-N	Standard range
105 729	ELS 300 Tx-L	Long range
Receivers		
105 730	ELS 300 Rx-PNP/LO-N	Standard PNP, LO
105 731	ELS 300 Rx-PNP/DO-N	Standard PNP, DO
105 732	ELS 300 Rx-NPN/LO-N	Standard NPN, LO
105 733	ELS 300 Rx-NPN/DO-N	Standard NPN, DO
105 736	ELS 300 Rx-NPN/DO-NA	Narrow aperture NPN, DO
105 755	ELS 300 Rx-NPN/LO-NA	Narrow aperture NPN, LO
106 214	ELS 300 Rx-PNP/LO-NA-F	Narrow aperture PNP, LO, Fast
109 280	ELS 300 Rx-PNP/DO-NA-F	Narrow aperture PNP, DO, Fast

Accessories

103 716	Rx-Cable-5 m-M8	Receiver cable 5 m, gray, with M8 Connector, AWG26
104 688	Rx-Cable-10 m-M8	Receiver cable 10 m, gray, with M8 Connector, AWG26
104 567	Rx-Cable-20 m-M8	Receiver cable 20 m, gray, with M8 Connector, AWG26
103 717	Tx-Cable-5 m-M8	Emitter cable 5 m, black, with M8 Connector, AWG26
104 689	Tx-Cable-10 m-M8	Emitter cable 10 m, black, with M8 Connector, AWG26
104 568	Tx-Cable-20 m-M8	Emitter cable 20 m, black, with M8 Connector, AWG26
103 721	Y-Switch	Y-Switch, M8 Connector, without LED
105 141	Y-Switch LED, PNP	M8 Connector, with LED (for ELS 300 PNP-types only)
103 720	Interconnection m-f	M8 Connector, AWG26, 250 mm
104 195	Interconnection m-f	M8 Connector, AWG26, 3 m
106 108	ELS 300 M18 Adapter cpl.	M18 Adapter for ELS 300
103 602	Relay module	Interface module for sensors with semi-conductor outputs
106 666	Power line converter	85 ... 265 VAC, for 24 V sensors with up to 250 mA current consumption

Other configurations on request

CEDES AG / Switzerland • Tel. +41 81 307 2323 • Fax +41 81 307 2325 • info@cedes.com • www.cedes.com

CEDES AG is certified according to ISO 9001: 2008. CEDES AG reserves the right to modify or change technical data without prior notice.