

### INTRODUCTION

Thank you for choosing an HK Instruments DPT-Dual-MOD series differential pressure transmitter. DPT-Dual-MOD combines two differential pressure transmitters into one device. It offers a possibility to measure pressure from two different points. It has a Modbus interface and an Input terminal. When using the Input terminal, temperature transmitters can be replaced with temperature sensors. As a result you will save in costs of the devices and in the installation costs.

### APPLICATIONS

DPT-Dual-MOD series devices are commonly used in HVAC/R systems for:

- fan, blower and filter monitoring
- pressure and flow monitoring
- valve and damper control
- pressure monitoring in cleanrooms

### SPECIFICATIONS

#### Performance

**Accuracy** (from applied pressure):

±1.5 % + 1 Pa

(Including: general accuracy, temperature drift, linearity, hysteresis, long term stability and repetition error)

**Response time:**

1...20 s selectable via menu

**Max pressure:**

400 kPa

#### Communication

Protocol: MODBUS over Serial Line

Transmission Mode: RTU

Interface: RS485

Byte format (11 bits) in RTU mode:

Coding System: 8-bit binary

Bits per Byte:

1 start bit

8 data bits, least significant bit sent first

1 bit for parity

1 stop bit

Baud rate: selectable in configuration

Modbus address: 1–247 addresses selectable in configuration menu

#### Zero point calibration options:

- Manual pushbutton autozero
- Via Modbus write coil

#### Technical Specifications

**Media compatibility:**

Dry air or non-aggressive gases

**Measuring units on display:**

Selectable via menu (Pa, mbar, inchWC, mmWC, psi)

**Measuring element:**

Piezoresistive

**Environment:**

Operating temperature: -10...+50 °C

Storage temperature: -20...+70 °C

Humidity: 0 to 95 % rH

#### Physical

**Dimensions:**

Case: 102.0 x 71.5 x 36.0 mm

**Weight:**

150 g, with accessories 290 g

**Mounting:**

2 each 4.3 mm screw holes, one slotted

**Materials:**

Case: ABS

Lid: PC

Pressure inlets: Brass

Duct connectors: ABS

Tubing: PVC

**Protection standard:**

IP54

**Display:**

2-line display (12 characters/line)

Line 1: active measurement, inlet A

Line 2: active measurement, inlet B



### WARNING

- READ THESE INSTRUCTIONS CAREFULLY BEFORE ATTEMPTING TO INSTALL, OPERATE OR SERVICE THIS DEVICE.
- Failure to observe safety information and comply with instructions can result in PERSONAL INJURY, DEATH AND/OR PROPERTY DAMAGE.
- To avoid electrical shock or damage to equipment, disconnect power before installing or servicing and use only wiring with insulation rated for full device operating voltage.
- To avoid potential fire and/or explosion do not use in potentially flammable or explosive atmospheres.
- Retain these instructions for future reference.
- This product, when installed, will be part of an engineered system whose specifications and performance characteristics are not designed or controlled by HK Instruments. Review applications and national and local codes to assure that the installation will be functional and safe. Use only experienced and knowledgeable technicians to install this device.

#### Electrical Connections:

4+3 spring load terminals, max 1.5 mm<sup>2</sup>

Cable Entry: M20

**Pressure connections:**

Male ∅ 5,0 mm and 6,3 mm

#### Electrical

**Supply voltage:**

24 VAC or VDC ± 10 %

**Power consumption:**

< 1.3 W

**Output signal:**

via Modbus

#### Conformance

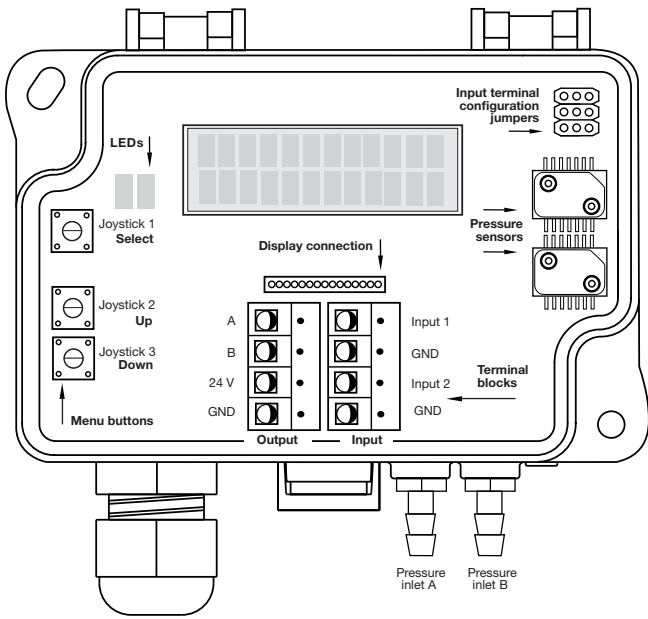
Meets requirements for CE marking:

EMC directive 2004/108/EC

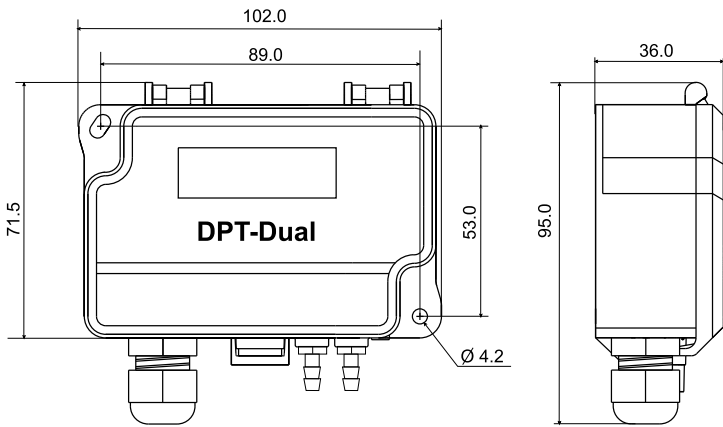
RoHS Directive 2002/95/EC



## SCHEMATICS



## DIMENSIONAL DRAWINGS



## INSTALLATION

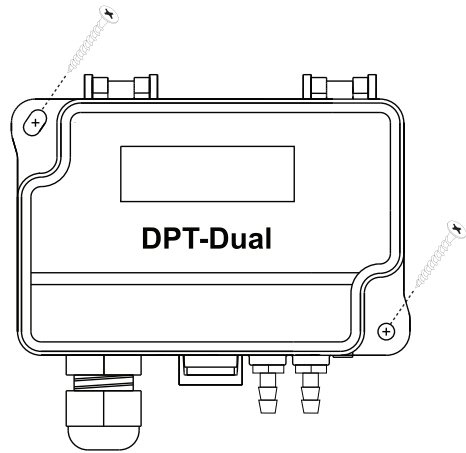
- 1) Mount the device in the desired location (see step 1).
- 2) Open the lid and route the cable through the strain relief and connect the wires to the terminal block(s) (see step 2).
- 3) The device is now ready for configuration.

**⚠ WARNING! Apply power only after the device is properly wired.**

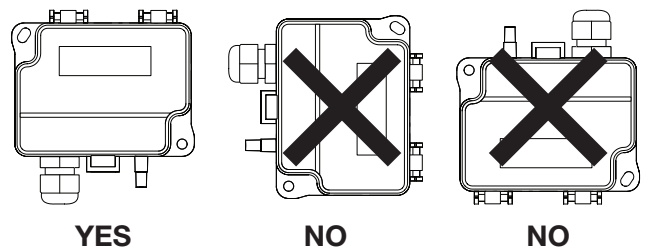
### STEP 1: MOUNTING THE DEVICE

- 1) Select the mounting location (duct, wall, panel).
- 2) Use the device as a template and mark the screw holes.
- 3) Mount with appropriate screws.

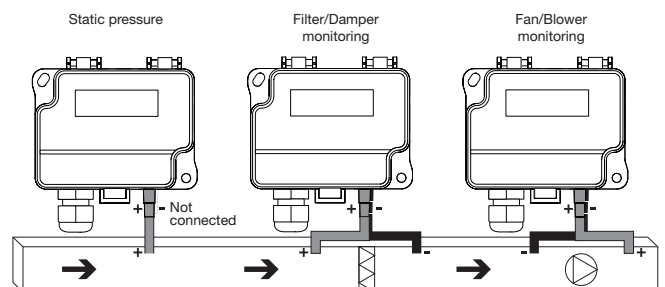
**Figure 1a - Surface mounting**



**Figure 1b - Mounting orientation**



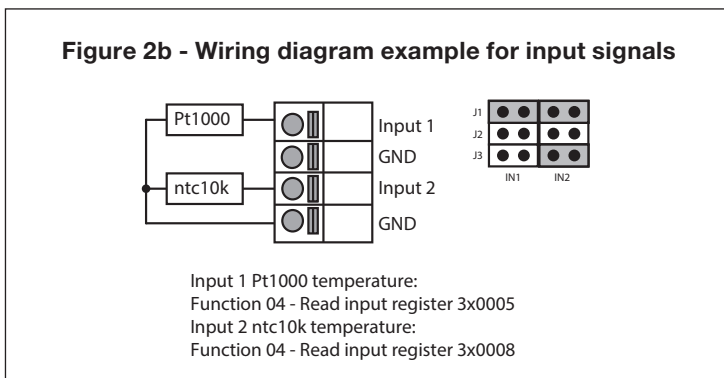
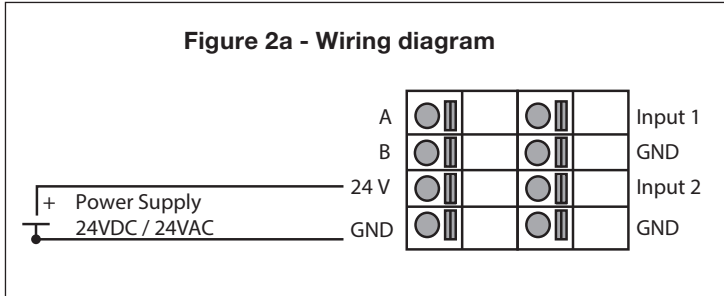
**Figure 1c - Application connections**



## STEP 2: WIRING DIAGRAMS

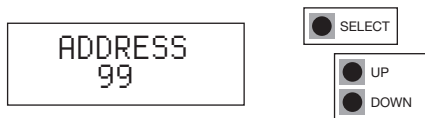
For CE compliance, a properly grounded shielding cable is required.

- 1) Unscrew the strain relief and route the cable(s).
- 2) Connect the wires as shown in figure 2a and 2b.
- 3) Tighten the strain relief.



## STEP 3: CONFIGURATION

- 1) Activate the device Menu by pushing the the select button for 2 seconds.
- 2) Select the address for Modbus: 1...247



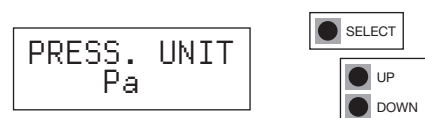
- 3) Select the baud rate: 9600/19200/38400.



- 4) Select the parity bit: None/Even/Odd



- 5) Select the pressure unit for display: Pa/inchWC/mmWC/psi/mbar



## CONFIGURATION CONTINUED

- 6) Select the response time: 1...20 s



- 7) Push the select button to exit menu.



## STEP 4: ZERO POINT ADJUSTMENT

NOTE! Supply voltage must be connected one hour before the zero point adjustment is carried out. Access via Modbus or by push button.

- 1) Loose both tubes from the pressure inlets + and -.
- 2) Press the select button briefly.



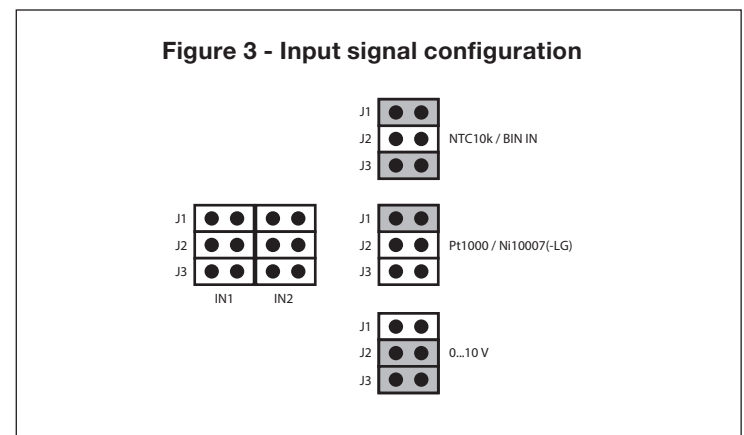
- 3) Wait until the LED turns off and then install tubes again for the pressure inlets.

## STEP 5: INPUT SIGNAL CONFIGURATION

Input signals can be read over Modbus via DPT MOD RS485 interface.

Signals	Accuracy for measurement	Resolution
0...10 V	< 0,5 %	0,1 %
NTC10k	< 0,5 %	0,1 %
Pt1000	< 0,5 %	0,1 %
Ni1000(-LG)	< 0,5 %	0,1 %
BIN IN (potential free contact)		

The jumpers should be set according to the instructions below and the value should be read from the right register. Both inputs can be configured independently.



## STEP 6: MODBUS REGISTERS

### Function 04 - Read input register

Register	Parameter description	Data Type	Value	Range
3x0001	Program version	16 bit	0...1000	0,00...99,00
3x0002	Pressure reading A	16 bit	-250...2500/7000	-250...2500/7000 (Pa)
3x0003	Pressure reading B	16 bit	-250...2500/7000	-250...2500/7000 (Pa)
3x0004	Input 1: 0...10 V	16 bit	0...1000	0...100 %
3x0005	Input 1: Pt1000	16 bit	-500...500	-50...+50 °C
3x0006	Input 1: Ni1000	16 bit	-500...500	-50...+50 °C
3x0007	Input 1: Ni1000-LG	16 bit	-500...500	-50...+50 °C
3x0008	Input 1: NTC10k	16 bit	-500...500	-50...+50 °C
3x0009	Input 2: 0...10 V	16 bit	0...1000	0...100 %
3x0010	Input 2: Pt1000	16 bit	-500...500	-50...+50 °C
3x0011	Input 2: Ni1000	16 bit	-500...500	-50...+50 °C
3x0012	Input 2: Ni1000-LG	16 bit	-500...500	-50...+50 °C
3x0013	Input 2: NTC10k	16 bit	-500...500	-50...+50 °C

### Function code 02 - Read input status

Register	Parameter description	Data Type	Value	Range
1x0001	Input 1: BIN IN	Bit 0	0...1	On - Off
1x0002	Input 2: BIN IN	Bit 0	0...1	On - Off

### Function 05 - Write single coil

Register	Parameter description	Data Type	Value	Range
0x0001	Zeroing function	Bit 0	0...1	On - Off

### Function code 06 - Write single register

Register	Parameter description	Data Type	Value	Range
4x0001	Beta value of NTC thermistor	16 bit	0...30000	1...30000 (Default: 4220)

## WARRANTY POLICY

The seller is obligated to provide a warranty of 24 months for the delivered goods regarding material and manufacturing. The warranty period is considered to start on the delivery date of the product. If a defect in raw materials or a production flaw is found, the seller is obligated, when the product is sent to the seller without delay or before expiration of the warranty, to amend the mistake at his/her discretion either by repairing the defective product or by delivering free of charge to the buyer a new flawless product and sending it to the buyer. Delivery costs for the repair under warranty will be paid by the buyer and the return costs by the seller. The warranty does not comprise damages caused by accident, lightning, flood or other natural phenomenon, normal wear and tear, improper or careless handling, abnormal use, overloading, improper storage, incorrect care or reconstruction, or changes and installation work not done by the seller or his/her authorized representative. The selection of materials for devices prone to corrosion is the buyer's responsibility, unless otherwise is legally agreed upon. Should the manufacturer alter the structure of the device, the seller is not obligated to make comparable changes to devices already purchased. Appealing for warranty requires that the buyer has correctly fulfilled his/her duties arisen from the delivery and stated in the contract. The seller will give a new warranty for goods that have been replaced or repaired within the warranty, however only to the expiration of the original product's warranty time. The warranty includes the repair of a defective part or device, or if needed, a new part or device, but not installation or exchange costs. Under no circumstance is the seller liable for damages compensation for indirect damage.