

Automation



// SYSTEMATIC CONTROL SWITCHGEAR

Emergency pull-wire, Pull-wire, Belt-alignment, Slack-wire switches



4 The Company

PRODUCTS



8 Emergency pull-wire switches

- 12 Selection table Emergency pull-wire switches
- 13 Spring pre-stress and travel limitation

One-side actuation

- 14 Series ZS 70
- 16 Series ZS 71
- 20 Series ZS 73
- 24 Series ZS 75
- 28 Series ZS 441
- 32 Series ZS 80

Two-side actuation

- 34 Series ZS 73 S
- 38 Series ZS 75 S
- 42 Series ZS 90 S



44 Belt-alignment switches

- 48 Series ES 61 SR
- 50 Series ZS 73 SR
- 52 Series ZS 75 SR
- 54 Series ZS 90 SR



56 Pull-wire switches

- 60 Selection table pull-wire switches
- 62 Series ES/EM 95 Z
- 64 Series ES 51 Z
- 66 Series ES/EM 41 Z
- 70 Series ES/EM 61 Z
- 72 Series ZS 70
- 73 Series ZS 71



74 Slack-wire switches

- 78 Series ES/EM 41 DB

80 Appendix

- 80 Accessories for emergency pull-wire and pull-wire switches
- 82 Explanation of symbols



// SAFE SWITCHGEAR FOR DEMANDING AND CRITICAL APPLICATIONS

Wireless



Automation



Extreme



Meditec



»Safe switchgear for demanding and critical applications«. True to this motto, steute has been providing its customers with innovative, practical and durable switchgear solutions – for over 50 years.

When our customers are successful, so are we. Because we always focus on our customers, our company has grown steadily and sustainably over the last decades. Steute is committed to continuing this growth – in close cooperation with our customers.

We are situated in East Westphalia, a key region for machine building and electrical goods manufacturing. It is home to qualified specialists committed to developing and manufacturing innovative products. It is also the location of renowned universities, research and educational institutions to which we maintain healthy contacts.

Markets are no longer restricted by national borders. This is why our products are developed and tested for extreme conditions all over the world. We take care to ensure that our products are always certified according to the latest international standards. In every industrial or emerging nation in the world, steute has access to qualified specialists who can guarantee competent support and a quick service.

As a medium-sized company we are able to react with speed to customer wishes and market trends. We are continually developing innovative products and using new technologies as we consistently open up new fields of application for our switchgear.

steute is currently active in four different business fields, producing switchgear, sensors and control units for use in industry and in medical equipment:

Wireless

Cable free switchgear and sensors for use in machinery and process plants. These industrial-strength wireless switches communicate with higher level control systems via reliable radio transmission. »Energy harvesting« can play a major role in these products.

Automation

Standard and customised switchgear for machinery and process plants. Tried and tested electromechanical and non-contact technologies for classical applications in industrial automation and process control – always with a view to the latest global requirements.

Extreme

Switchgear and sensors for use in extreme environments or under extreme conditions. Certified products for use in hazardous areas worldwide (e. g. ATEX, IECEx, GOST).

Meditec

A comprehensive range of standard and customised foot and hand controls for medical devices, meeting the highest ergonomic and availability requirements. Produced in accordance with the certified EN ISO 13485 quality management system for medical products.

The following information provides an overview of our standard range of switchgear for complex and demanding applications. We will be happy to provide you with any additional information you require. If you cannot find the solution for your application: just get in touch. We have already helped numerous customers by developing »tailor-made« switchgear for their individual needs.

Marc Stanesby
Managing Director
steute Schaltgeräte GmbH & Co. KG



Emergency pull-wire switches

// Selection table Emergency pull-wire switches

from page 12

// Pre-stress and travel limitation

from page 13

One-side actuation

// Series ZS 70

from page 14

// Series ZS 71

from page 16

// Series ZS 73

from page 20

// Series ZS 75

from page 24

// Series ZS 441

from page 28

// Series ZS 80

from page 32

Two-side actuation

// Series ZS 73 S

from page 34

// Series ZS 75 S

from page 38

// Series ZS 90 S

from page 42



Emergency pull-wire switches

Application

Emergency pull-wire switches are of great importance for the man-machine interface in the area of industrial applications. They are, for example, applied on transport and conveyor systems. After manual actuation, work and functional processes are initiated or switched off.

When the new harmonised European standard EN 60947-5-5 concerning functional aspects and design guidelines for emergency-stop devices has come into effect, new requirements must have to be met by these command devices. All emergency pull-wire switches described in this chapter meet the requirements of this standard.

Design and mode of operation

On emergency pull-wire switches the emergency-stop command can be initiated from any point along the pull-wire. They have a positive linkage between the NC contacts and the pull-wire. The emergency pull-wire switches are brought into the operational condition by

pre-tensioning the pull-wire, i.e. the NC contacts are then closed and the NO contacts are open. All devices are equipped with wire-breakage detection. In the chapter accessories of the appendix the required accessories for installation are presented.

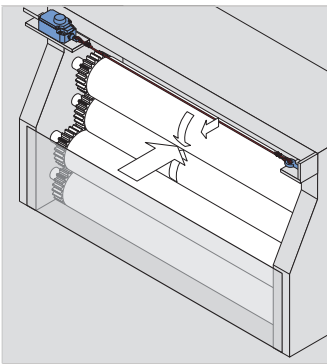
Emergency pull-wire switches without mechanical latching VD or VS do not conform to the EN 418 and IEC 609745-5-5. It is possible to meet the requirements of these two standards by suitable measurement of the circuitry and control technology.

There are devices with one- and two-side actuation. The wire length, the number of contacts and the mounting position, in the middle or on one side of the system, are the main features when selecting an emergency pull-wire switch.

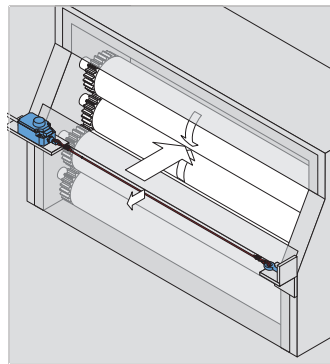
All emergency pull-wire switches bear the CE mark according to the Machinery Directive 2006/42/EC.

Application

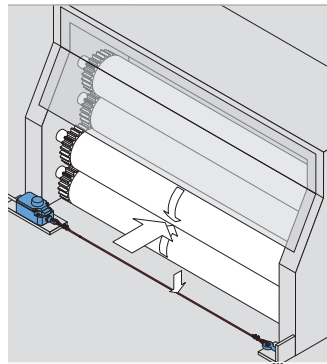
Mounting at head level



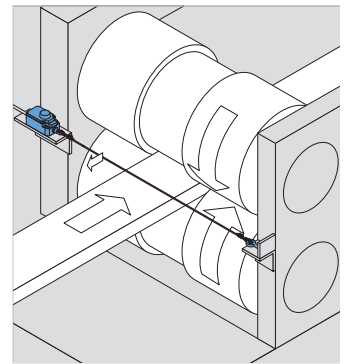
Mounting at hand level



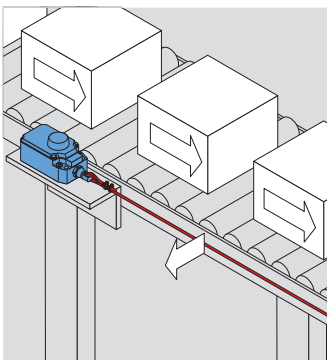
Mounting at foot level



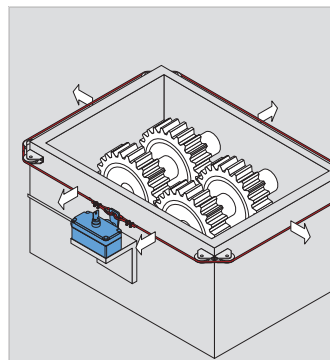
Mounting at hazardous inrunning nips



Mounting at conveyor-belts



Complete fencing



Emergency pull-wire switches

// Technical information

Function principle

All emergency pull-wire switches from steute are provided with a wire-break detection so that the wire must be mounted with a defined pre-tension force. This value of the pre-tension force varies depending on the different devices. The appropriate value can be found on the data sheet of the emergency pull-wire switch. With an incorrect mounting cannot be taken in operation, i. e. an unlocking is not possible. By vertically pulling the pull-wire the switching function is carried out. The actuating force is exclusively depending on the spring rate of the reset spring. There are emergency pull-wire switches with one-side and two-side actuation, see drawings below. Emergency pull-wire switches with two-side actuation must always be mounted with two compensation springs. According to EN 60947-5-5 the maximum values of the actuating force $F = 200 \text{ N}$ and of the actuating travel $s = 400 \text{ mm}$ must not be exceeded on vertical actuation of the emergency pull-wire switch. In addition, the pull-wire must withstand the 10 times higher vertical pulling force that is required in order to generate the emergency-stop signal.

Maximum pull-wire length

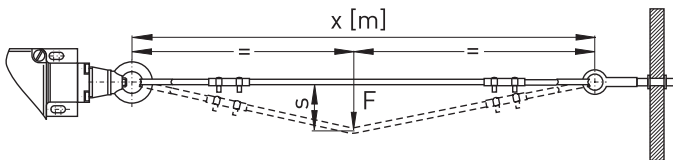
The maximum pull-wire length is mainly limited by two basic conditions. On the one hand by the maximum admissible actuating travel s of 400 mm and on the other hand by the thermal change in length of the pull-wire with a fluctuating ambient temperature that may not lead to an undesired actuation of the switch. Because the first basic condition requires a preferably low and the second requires a preferably high elasticity of the system it is necessary to optimise such systems in respect to both basic conditions depending on the operational conditions. In addition, it must be checked if the actuating force F of 200 N is adhered.

Application of compensation springs / Travel limitation

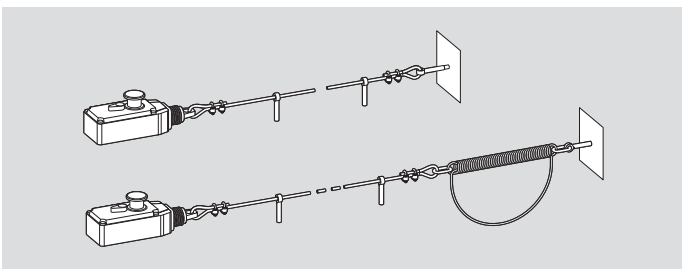
Compensation springs are applied to compensate thermal changes in lengths of the pull-wire and therefore allow for higher pull-wire lengths. In general the following is valid:

- Soft compensation spring with a low spring rate can compensate higher thermal changes in length.
- Though on pull-wire actuation soft compensation springs have a high expansion behaviour and therefore earlier reach the limit of the maximum actuating travel $s = 400 \text{ mm}$. Thus the expansion behaviour limitates the maximum pull-wire length at a constant temperature range or the temperature range at a constant pull-wire length.
- The dimensioning of the compensation spring is determined by the reset spring of the switches (Value of the pre-tension force and spring rate of the rest spring), the pull-wire length (length and elasticity).

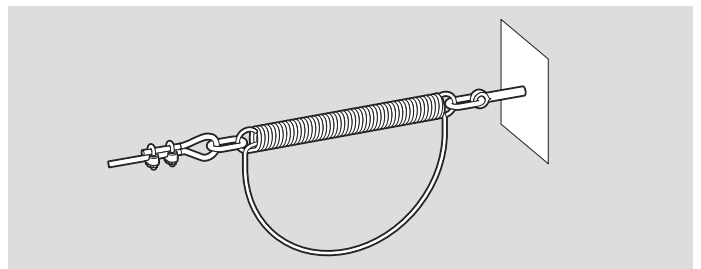
Interrelation of actuating travel / distance wire support



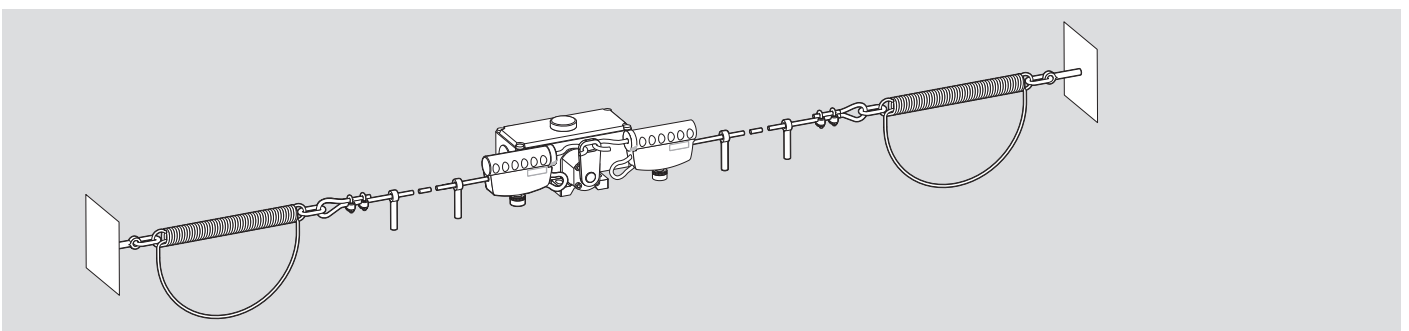
Mounting of one-side actuation



Compensation spring with travel limitation



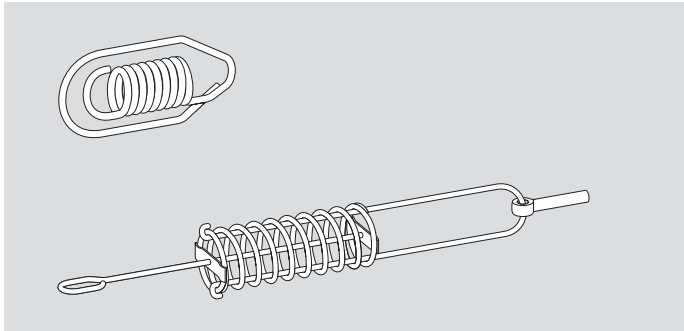
Mounting of two-side actuation



Emergency pull-wire switches

// Technical information

Examples of other compensation springs variants

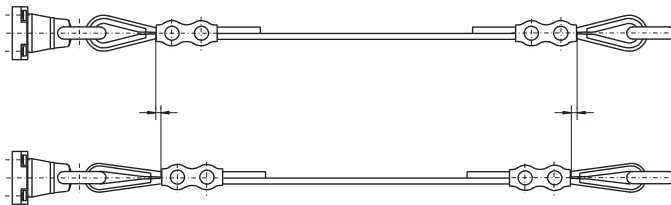


sticity of the pull-wire) and the maximum actuating travel of $s = 400 \text{ mm}$.

- With two-side actuation a travel limitation must be installed, see drawing left page, in order to prevent overstretching of the tension spring
- Before mounting the pull-wire, the red PVC sheath must be removed from the the pull-wire in the clamping range of the pull-wire!

An overstress of the compensation spring is in general prevented by a travel limitation. In practice either additional travel limitations are applied or self-protecting compensation springs are used. Additional travel limitations made of catch-ropes are critical when the function relevant length of the travel limitation is set but have a clear advantage in cost in comparison to compensation springs.

Wire thimble deformation



Distance of wire support

The actuating travel required to vertically actuate the switch results from the sum of the spring travels of the switch, pull-wire and where required compensation spring as well as the distance of the wire supports x [m]. This means a larger actuating travel is required with a larger distance of the wire supports when actuating the pull-wire in order to achieve the same actuating distance. Securing a safe switching at a constant pull-wire length the distance of the wire supports must be reduced in order to aim for a wider temperature range.

Type of pull-wire

The expansion behaviour of the pull-wire is determined by the type of wire. Besides elastic elongation permanent elongations can occur when actuating the pull-wire. Under certain conditions higher pre-tension forces can lead to relaxation processes (temporal pre-tension loss). Statistical spread of the manufacturing process also have an effect on the expansion behaviour.

Therefore it is urgently recommended at least for longer pull-wire lengths to apply pull-wires from steute. These are much tougher and thus optimised for such applications.

Pull-wires from other manufacturers often lengthen gradually because of the creep characteristics of the plastic core (relaxation). If so, it is necessary to regularly check the pull-wire tension and if required to retension the pull-wire. The appropriate security note in the mounting and wiring instructions and the standard application of a tensioner are the prerequisite for a safe function.

Mounting notes

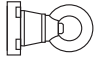
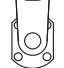
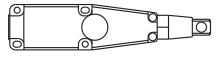
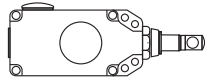
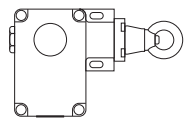
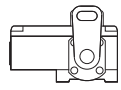
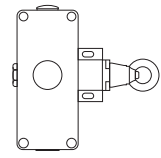
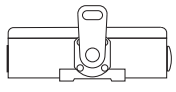
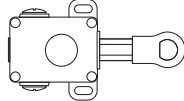
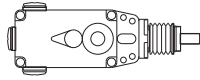
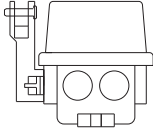
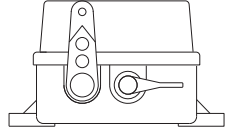
- After fitting the wire, pull strongly on it several times, as the pull-wire and the wire thimble will deform.
- Subsequently, retense the wire using the wire clamp, eye-bolt or tensioner.
- In order to guarantee safe operation, observe the enclosed mounting and wiring instructions.
- According to EN 418, pulleys may only be mounted such that the complete length of the pull-wire can be observed.

Selection table

Emergency pull-wire switches

// Series

// Maximum pull-wire length

		→	↔	
				
ZS 70, on page 14 - Thermoplastic enclosure - One-side actuation - 2 contacts		10 m	-	
ZS 71, on page 16 - Metal enclosure - One-side actuation - 3 contacts		35 m	-	
ZS 73, on page 20 and 34 - Metal enclosure - One-side actuation: ZS 73 - two-side actuation: ZS 73 S - 2 contacts		130 m	2 x 100 m	
ZS 75, on page 24 and 38 - Metal enclosure - One-side actuation: ZS 75 - Two-side actuation: ZS 75 S - 4 contacts		130 m	2 x 100 m	
ZS 441, on page 28 - Metal enclosure - One-side actuation - 2 contacts		60 m	-	
ZS 80, on page 32 - Metal enclosure - One-side actuation - 4 contacts		100 m	-	
ZS 90 S, on page 42 - Polyester resin enclosure - Two-side actuation - 4 contacts		-	2 x 50 m	

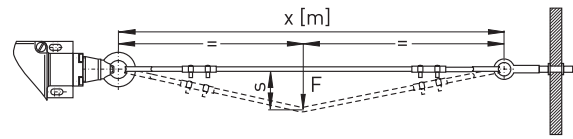
Emergency pull-wire switches

// Pre-stress and actuating forces

Notes

- The values are indicated for an ambient temperature of 20 °C at the stated wire length.
- The linear expansion of the wire due to strain and deformation of the wire thimble is not considered.
- The actuating forces are only approximate values, due to the spring forces being subject to tolerances.

Actuating forces and travel between supports



Emergency pull-wire switch	Wire length betw. supports x [m]	Pre-stress force [N]	Actuating travel s [cm]	Actuating force F [N]	Wire length [m]	Ordering index
ZS 70	2,5	50	7	10	<10	-
ZS 71	3	100	7	12	10	
ZS 73	5	120-180	13	19-25	50-130	/120-180N
	5	295-390	13	38-60	50-130	/295-390N
ZS 73 S	4	-	13	51-85	2 x 30-65	-
ZS 75	5	120-180	13	19-25	50-130	/120-180N
	5	295-390	13	38-60	50-130	/295-390N
ZS 75 S	4	-	13	51-85	2 x 30-65	-
ZS 441	5	150	10	14	5-15	/150N
ZS 80	5	100	22	32	75	-
ZS 90 S	4	-	15	40	2 x 50	-


Emergency pull-wire switches, one-side actuation

// Series ZS 70

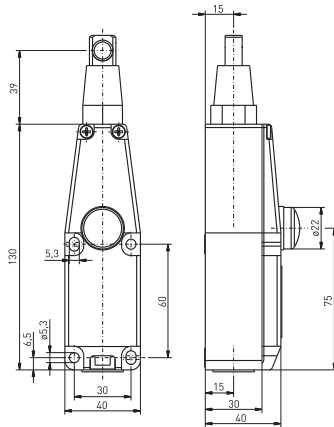
Features/Options

- Thermoplastic enclosure
- 2 contacts
- Mounting details to DIN EN 50 041
- Small design
- Wire length up to 10 m
- Push button release
- Available without unlocking mechanism (per DIN EN 60947-5-1)
- Wire pull and breakage detection

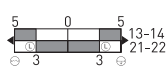
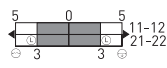
Technical data

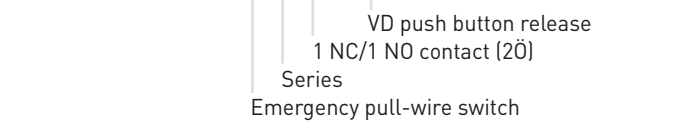
Standards	IEC/EN 60947-5-1, IEC/EN 60947-5-5, EN 418, EN ISO 13849-1
Enclosure	glass-fibre reinforced, shock-proof thermoplastic, ultramid
Cover	glassfibre reinforced, shock-proof thermoplastic, ultramid
Degree of protection	IP 67 to IEC/EN 60529
Contact material	silver
Switching elements	change-over contact with double break or 2 NC contacts
Switching system	snap action, positive break NC contacts ⊕
Connection	screw terminals
Cable section	max. 2.5 mm ² (incl. conductor ferrules)
Cable entry	1 x M20 x 1.5
B_{10d} (10 % load)	200 000
T_M	max. 20 years
U_{imp}	6 kV
U_i	400 V
I_{the}	6 A
Utilisation category	AC-15
I_e/U_e	6 A/400 VAC
Max. fuse rating	6 A gG/gN-fuse
Ambient temperature	-25 °C ... +70 °C
Mech. life	> 100 000 operations
Indicator lamp	as option
Max. wire length	10 m
Features	wire pull and breakage detection
Approvals	

// ZS 70



Contact variants: switch travel/contacts Ordering details ZS 70 1Ö/1S VD

	Snap action	Order No.
1 NC/1 NO contact	ZS 70 1Ö/1S VD 	70141501
2 NC contacts	ZS 70 2Ö VD 	70541501



At 2.5 m distance intermediate wire supports are required. One wire thimble is provided. Details related to pre-stress and actuating forces are indicated on page 13.

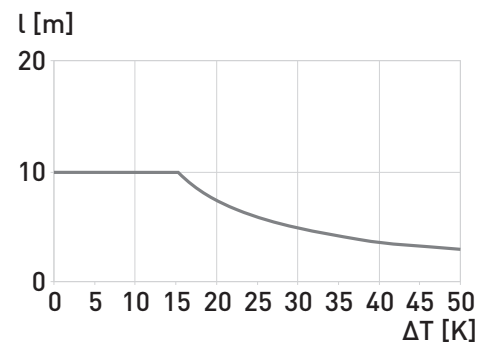
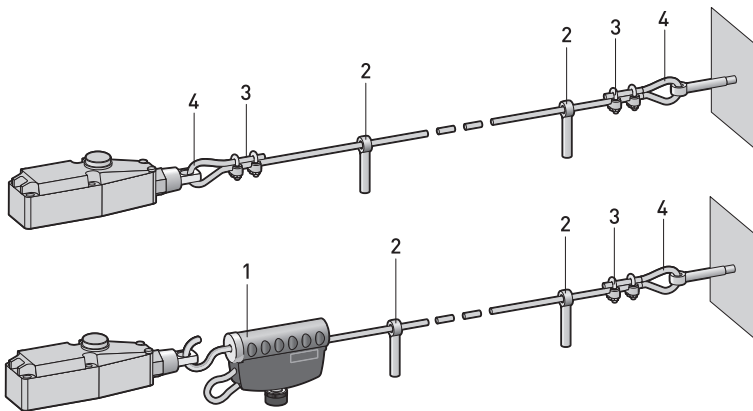
Emergency pull-wire switches, one-side actuation

// Series ZS 70, mounting

Legend

1 Cable tensioner system TS 65	04.71.7101
2 Eye bolt M8 x 70 with nut	04.00.7112
3 Wire clamp	01.10.0003
4 Wire thimble 3B	01.10.0001
6 Pull-wire per metre	01.09.0011

// Mounting without tension spring



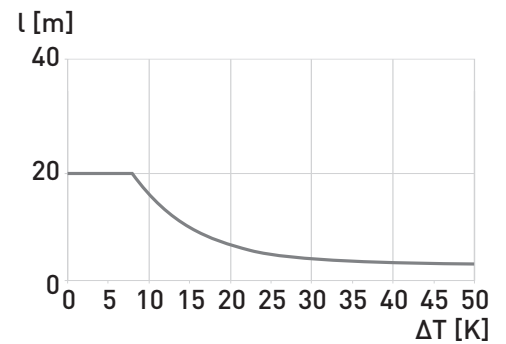
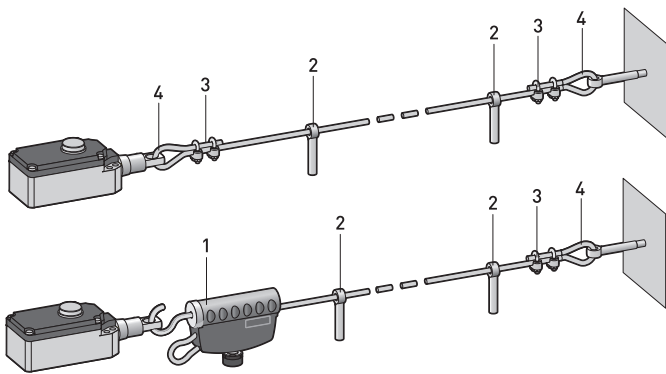
Emergency pull-wire switches, one-side actuation

// Series ZS 71, mounting

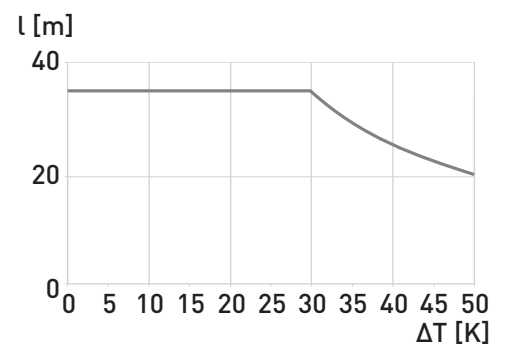
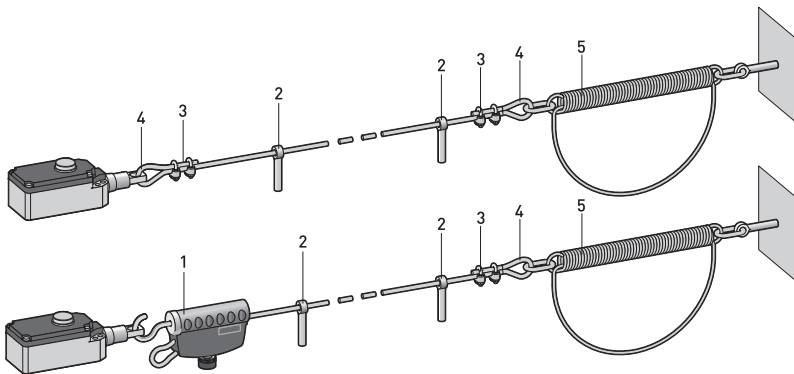
Legend

1 Cable tensioner system TS 65	04.71.7101
2 Eye bolt M8 x 70 with nut	04.00.7112
3 Wire clamp	01.10.0003
4 Wire thimble 3B	01.10.0001
5 Tension spring ZS 71-100N	04.00.7154
6 Pull-wire per metre	01.09.0011

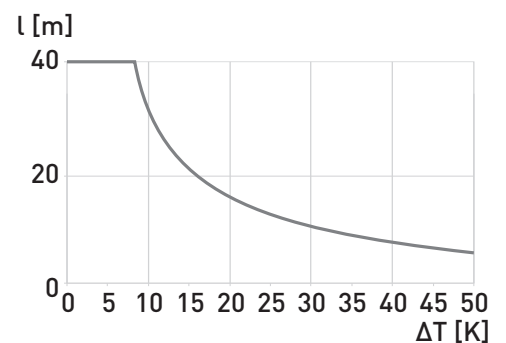
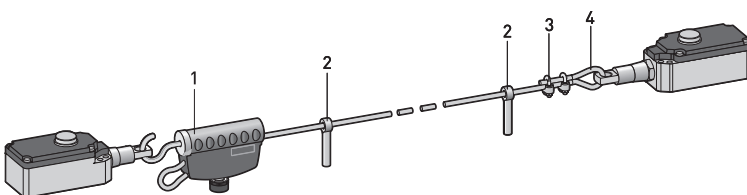
// Mounting without tension spring



// Mounting with tension spring



// Mounting with 2 emergency pull-wire switches



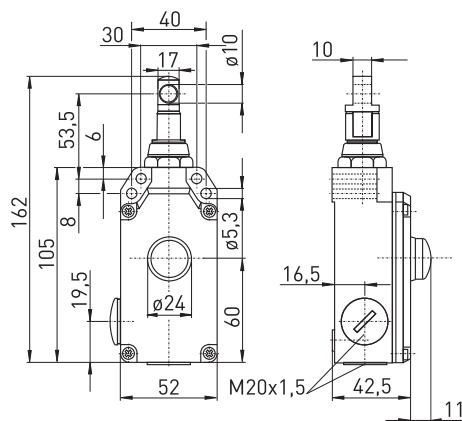
Emergency pull-wire switches, one-side actuation

// Series ZS 71, variants

Features/Options

- Indicator lamps for various voltages are indicated in chapter accessories in the appendix
- Indicator lamp position in the left side cable entry

// Push-button release VD

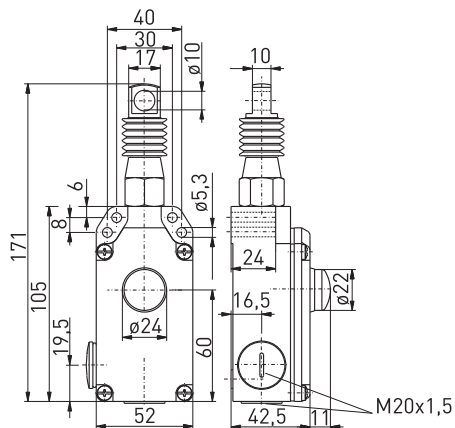


Push-button release
ZS 71 20/1S VD/100 N

Order Number
71941901

18

// Watertight collar W



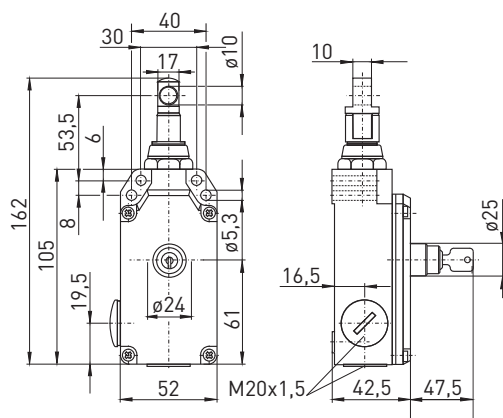
Features/Options

- Watertight collar for protection against penetration of dirt

Watertight collar/Push-button release
ZS 71 20/1S WVD/100 N

Order Number
71942904

// Key release VS



Key release
ZZS 71 20/1S VS/100 N

Order Number
on request

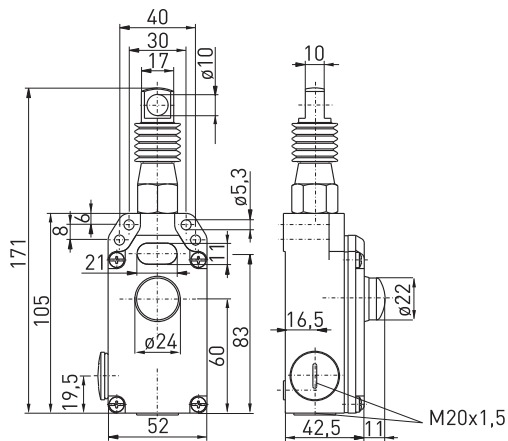
Key release/Watertight collar
ZS 71 20/1S WVS/100 N

Order Number
on request

Features/Options

- Indicator lamps for various voltages are indicated in chapter accessories in the appendix
- Indicator lamp position in the left side cable entry

// Position indicator A



Position indicator/Push-button release
ZS 71 20/1S VD-A/100 N

Bestellnummer
71941903

Position indicator/Push-button release/Collar
ZS 71 20/1S WVD-A/100 N

Bestellnummer
71942902

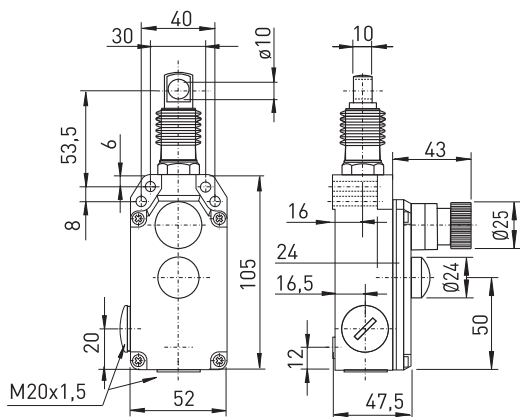
Position indicator/Key release
ZS 71 20/1S VS-A / 100 N

Bestellnummer
on request

Position indicator/Key release/Collar
ZS 71 20/1S WVS-A/100 N

Bestellnummer
on request

// Emergency-stop push-button NA



Features/Options

- Position indicator A not available for variant ZS 71 NA
- Version with emergency-stop push button for direct and fast actuation at the switch

Emergency-stop push-button
ZS 71 20/1S VD-NA/100 N
ZS 71 20/1S WVD-NA/100 N

Order Number
on request
on request

Emergency pull-wire switches, one-side actuation

// Series ZS 73





// ZS 73

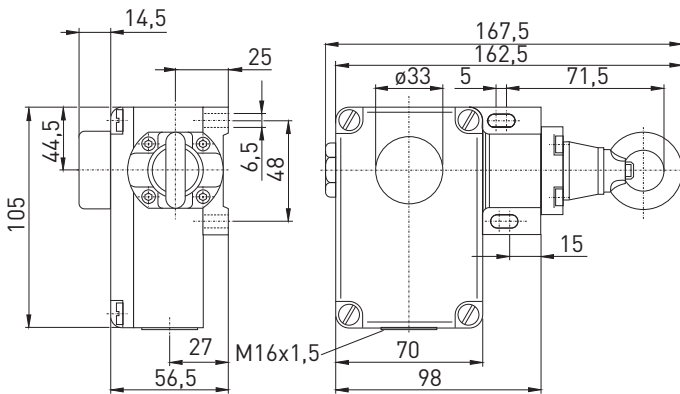


Features/Options

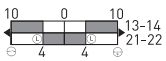
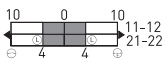
- Metal enclosure
- 2 contacts
- Wire length up to 130 m
- 2 various spring force variants (actuating forces)
- Available without unlocking mechanism (per DIN EN 60947-5-1)
- Release by push button or key possible
- Wire pull and breakage detection
- Ex version available

Technical data

Standards	IEC/EN 60947-5-1, IEC/EN 60947-5-5, EN 418, EN ISO 13849-1
Enclosure	aluminium die-cast, enamel finish; ZS 73 NIRO: aluminium die-cast, hard-coated and enamelled
Cover	glass-fibre reinforced, shock-proof thermoplastic, ultramid
Degree of protection	ZS 73 WVD: IP 65; ZS 73 VD, ZS 73 VS and ZS 73 WVS: IP 54 to IEC/EN 60529
Contact material	silver
Switching elements	change-over contact with double break or 2 NC contacts
Switching system	snap action, positive break NC contacts ⊕
Connection	screw terminals
Cable section	max. 2.5 mm ² (incl. conductor ferrules)
Cable entry	1 x M16 x 1.5
B_{10d} (10 % load)	200 000
T_M	max. 20 years
U_{imp}	6 kV
U_i	400 V
I_{the}	6 A
Utilisation category	AC-15
I_e/U_e	6 A/400 VAC
Max. fuse rating	6 A gG/gN-fuse
Ambient temperature	-25 °C ... +70 °C
Mech. life	> 100 000 operations
Indicator lamp	as option
Max. wire length	130 m
Features	wire pull and breakage detection
Approvals	   



Contact variants: switch travel/contacts

	Snap action
1 NC/1 NO contact	ZS 73 1Ö/1S 
2 NC contacts	ZS 73 2Ö 

Ordering details

ZS 73	1Ö/1S	WVD-NIRO/120-180	N-G	Indicator lamp (app.)
				120-180 N pre-stress force (295-390 N)
				NIRO pull-wire unit
				VD push button release (VS key release)
				W watertight collar
				1 NC/1 NO contact (2Ö)
				Series
				Emergency pull-wire switch

At 5 m distance intermediate wire supports are required. One wire thimble is provided. Details related to pre-stress and actuating forces are indicated on page 13.

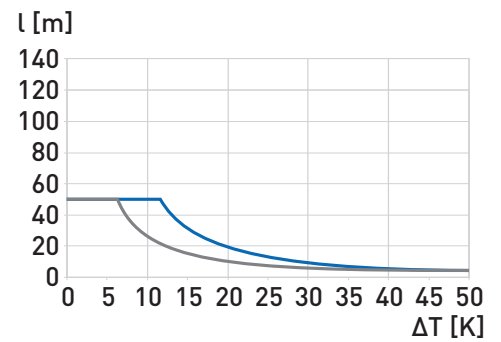
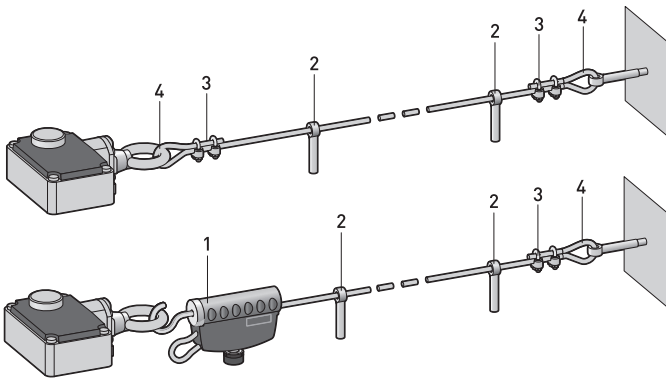
Emergency pull-wire switches, one-side actuation

// Series ZS 73, mounting

Legend

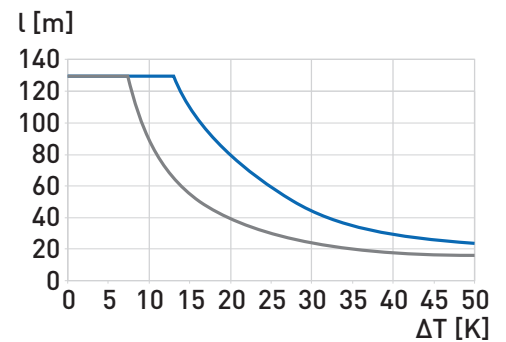
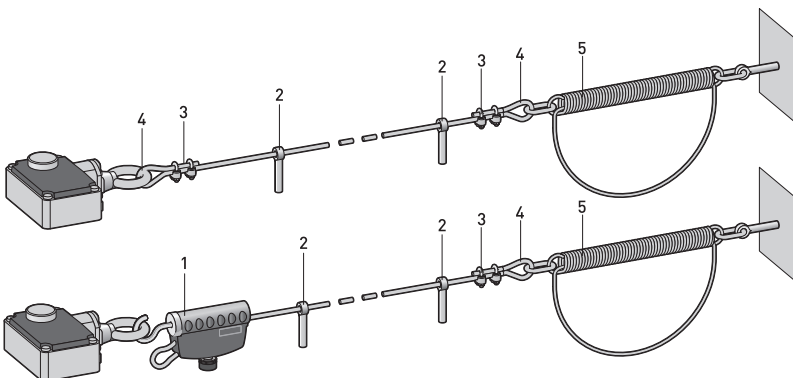
1 Cable tensioner system TS 65	04.71.7101
2 Eye bolt M8 x 70 with nut	04.00.7112
3 Wire clamp	01.10.0003
4 Wire thimble 3B	01.10.0001
5 Tension spring ZS 73/75-200N for spring force variant 120-180N	04.00.7155
Tension spring ZS 73/75-400N for spring force variant 295-390N	04.00.7157
6 Pull-wire per metre	01.09.0011

// Mounting without tension spring



21

// Mounting with tension spring



Temperature difference/ Wire length

Legend

- 120-180 N standard version
- 295-390 N for long pull-wire lengths and strong vibrations

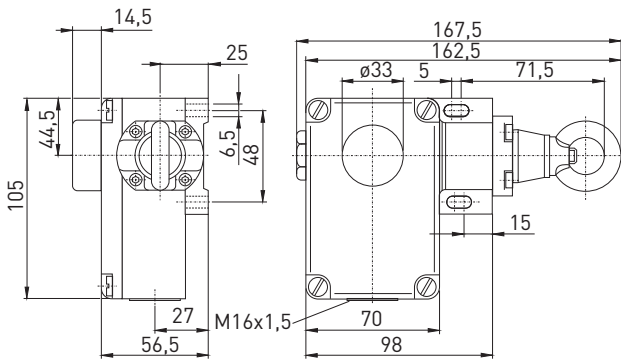
Emergency pull-wire switches, one-side actuation

// Series ZS 73, variants

Features/Options

- Indicator lamp possible on request
- With 2 cable entries available on request

// Push-button release VD



Push-button release
 ZS 73 10̄/1S VD/120-180 N
 ZS 73 10̄/1S VD/295-390 N

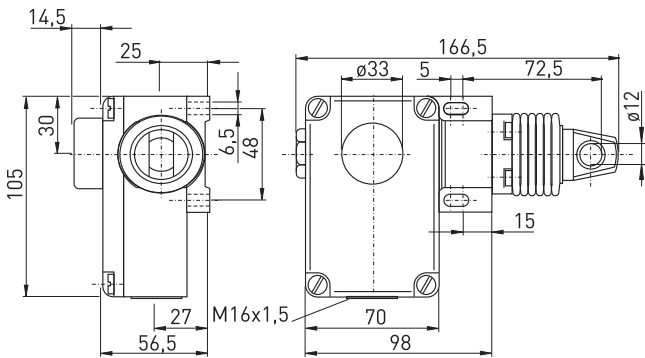
Order Number
 73141909
 73141501

ZS 73 20̄ VD/120-180 N
 ZS 73 20̄ VD/295-390 N

73541907
 73541502

22

// Watertight collar W



Features/Options

- Watertight collar for protection against penetration of dirt

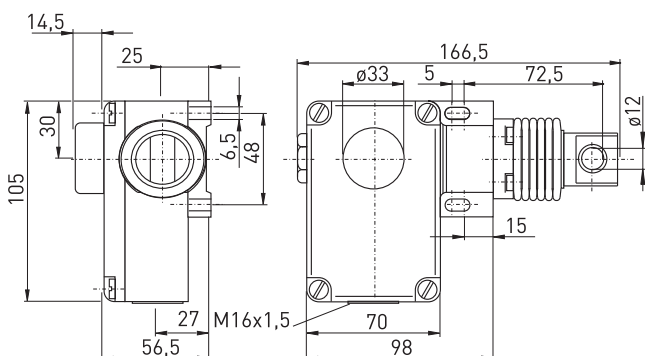
Watertight collar/Push-button release
 ZS 73 10̄/1S WVD/120-180 N
 ZS 73 10̄/1S WVD/295-390 N

Order Number
 73142908
 73142501

ZS 73 20̄ WVD/120-180 N
 ZS 73 20̄ WVD/295-390 N

73542907
 73542502

// Stainless Steel ZS 73 NIRO



Features/Options

- ZS 73 NIRO: pull-wire unit and screws made of stainless steel 1.4305, hard-coated enclosure with enamel finish

Stainless Steel/Push-button release
 ZS 73 10̄/1S WVD/120-180 N Niro
 ZS 73 10̄/1S WVD/295-390 N Niro

Order Number
 73142906
 73142903

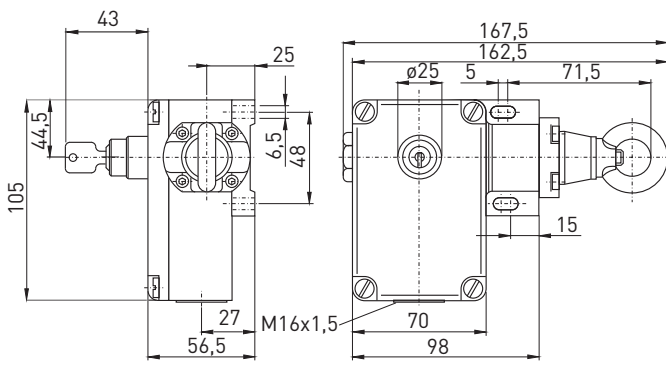
ZS 73 20̄ WVD/295-390 N Niro

73542916

// Key release VS

Key release
ZS 73 10/1S VS/295-390 N
ZS 73 20 VS/295-390 N

Order Number
73141601
73541601



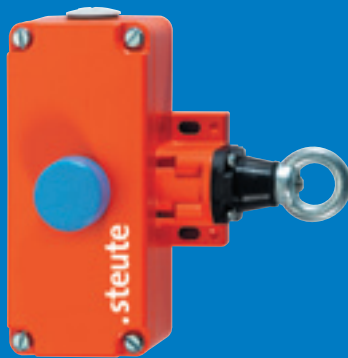
Emergency pull-wire switches, one-side actuation

// Series ZS 75

Features/Options

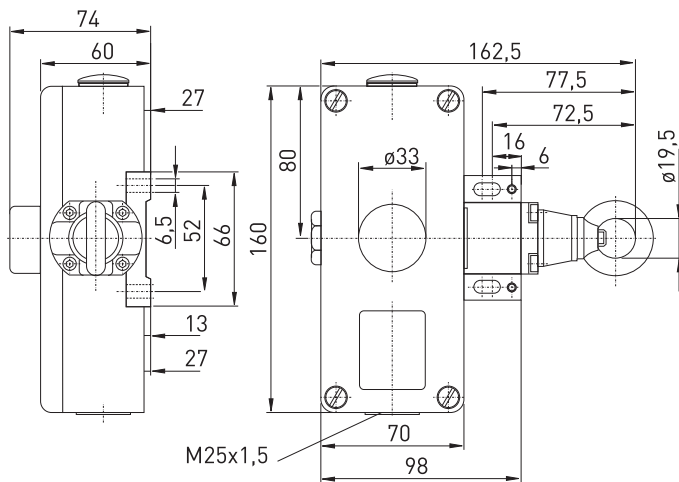
- Metal enclosure
- 2 or 4 contacts
- Wire length up to 130 m
- 2 various spring force variants (actuating forces)
- Release by push button or key possible
- Available without unlocking mechanism (per DIN EN 60947-5-1)
- Wire pull and breakage detection
- Version with Dupline or Dupline Safe available
- Ex version available

// ZS 75



Technical data

Standards	IEC/EN 60947-5-1, IEC/EN 60947-5-5, EN 418, EN ISO 13849-1
Enclosure	aluminium die-cast, enamel finish
Cover	aluminium die-cast, enamel finish
Degree of protection	ZS 75 WVD: IP 65; ZS 75 VD, ZS 75 VS and ZS 75 WVS: IP 54 to IEC/EN 60529
Contact material	silver
Switching elements	change-over contact with double break or 2 NO/2 NC or 4 NC contacts
Switching system	snap action, positive break NC contacts ⊕
Connection	screw terminals
Cable section	max. 2.5 mm ² (incl. conductor ferrules)
Cable entry	2 x M25 x 1.5
B_{10d} (10 % load)	200 000
T_M	max. 20 years
U_{imp}	6 kV
U_i	400 V
I_{the}	6 A
Utilisation category	AC-15
I_e/U_e	6 A/400 VAC
Max. fuse rating	6 A gG/gN-fuse
Ambient temperature	-25 °C ... +70 °C
Mech. life	> 100 000 operations
Indicator lamp	as option
Max. wire length	130 m
Features	wire pull and breakage detection
Approvals	



Contact variants: switch travel/contacts

	Snap action
1 NC/1 NO contact	ZS 75 1Ö/1S
2 NC/2 NO contacts	ZS 75 2Ö/2S
4 NC contacts	ZS 75 4Ö

Ordering details

ZS 75 1Ö/1S WVD/120-180 N-G-DP	Dupline (DPS Dupline Safe) Indicator lamp, accessories (app.) 120-180 N pre-stress force (295-390 N) VD push button release (VS key release) W watertight collar 1 NC/1 NO contact (2Ö/2S, 4Ö) Series
---------------------------------------	--

Emergency pull-wire switch
 At 5 m distance intermediate wire supports are required. One wire thimble is provided. Details related to pre-stress and actuating forces are indicated on page 13.

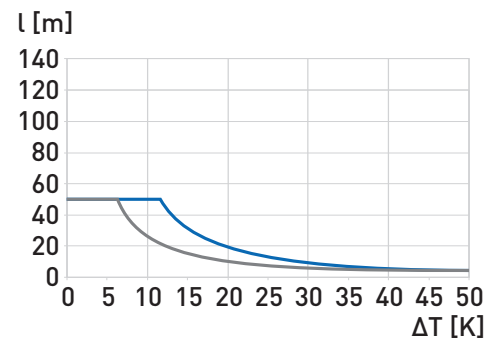
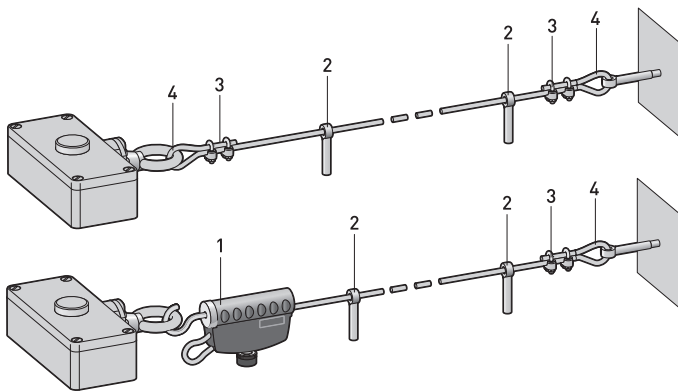
Emergency pull-wire switches, one-side actuation

// Series ZS 75, mounting

Legend

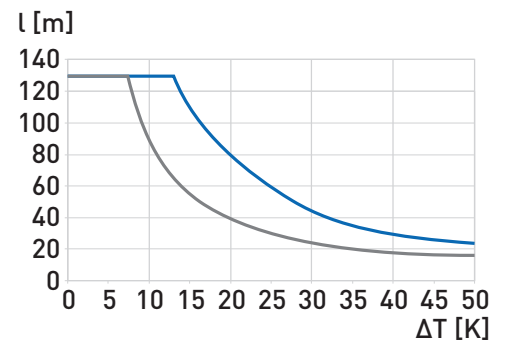
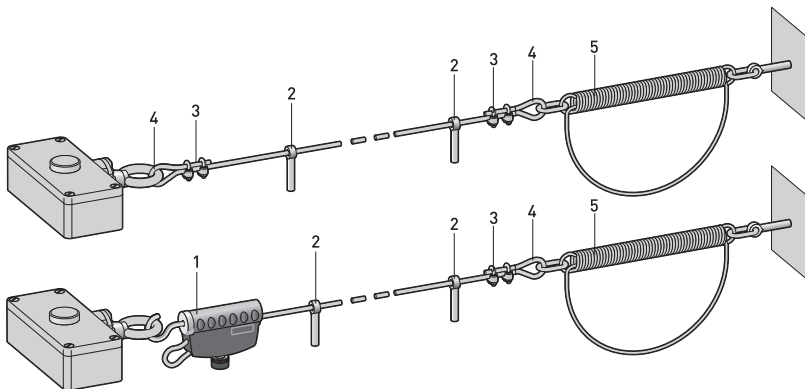
1 Cable tensioner system TS 65	04.71.7101
2 Eye bolt M8 x 70 with nut	04.00.7112
3 Wire clamp	01.10.0003
4 Wire thimble 3B	01.10.0001
5 Tension spring ZS 73/75-200N for spring force variant 120-180N	04.00.7155
Tension spring ZS 73/75-400N for spring force variant 295-390N	04.00.7157
6 Pull-wire per metre	01.09.0011

// Mounting without tension spring



25

// Mounting with tension spring



Temperature difference/ Wire length

Legend

- 120-180 N standard version
- 295-390 N for long pull-wire lengths and strong vibrations

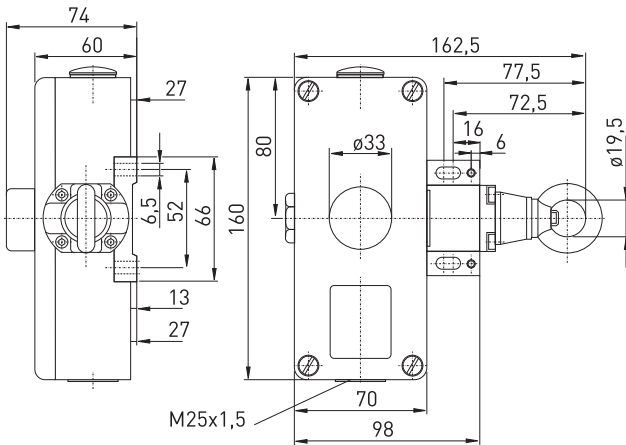
Emergency pull-wire switches, one-side actuation

// Series ZS 75, variants

Features/Options

- Indicator lamps for various voltages are indicated in chapter accessories in the appendix

// Push-button release VD



Push-button release
 ZS 75 1Ö/1S VD/120-180 N
 ZS 75 1Ö/1S VD/295-390 N

 ZS 75 2Ö/2S VD/120-180 N
 ZS 75 2Ö/2S VD/295-390 N

 ZS 75 4Ö VD/120-180 N
 ZS 75 4Ö VD/295-390 N

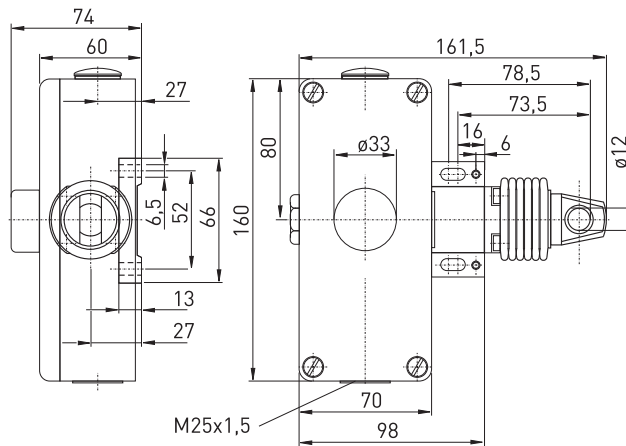
Order Number
 75141904
 75141501

 75441504
 75441502

 75941906
 75941502

26

// Watertight collar W



Features/Options
 - Watertight collar for protection against penetration of dirt

Watertight collar/Push-button release
 ZS 75 1Ö/1SWVD/120-180 N
 ZS 75 1Ö/1S WVD/295-390 N

 ZS 75 2Ö/2S WVD/120-180 N
 ZS 75 2Ö/2S WVD/295-390 N

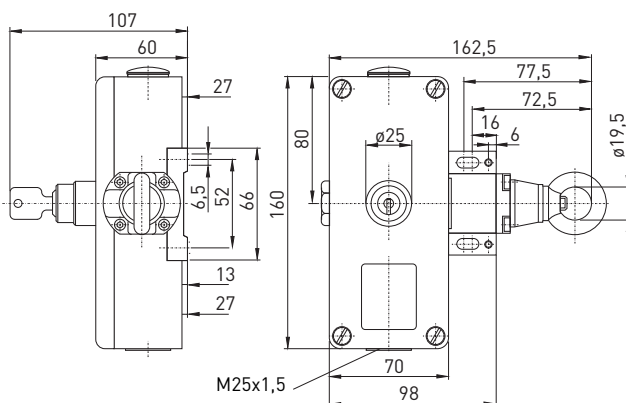
 ZS 75 4Ö WVD/120-180 N
 ZS 75 4Ö WVD/295-390 N

Order Number
 75142503
 75142501

 75442507
 75442505

 75942910
 75942501

// Key release VS



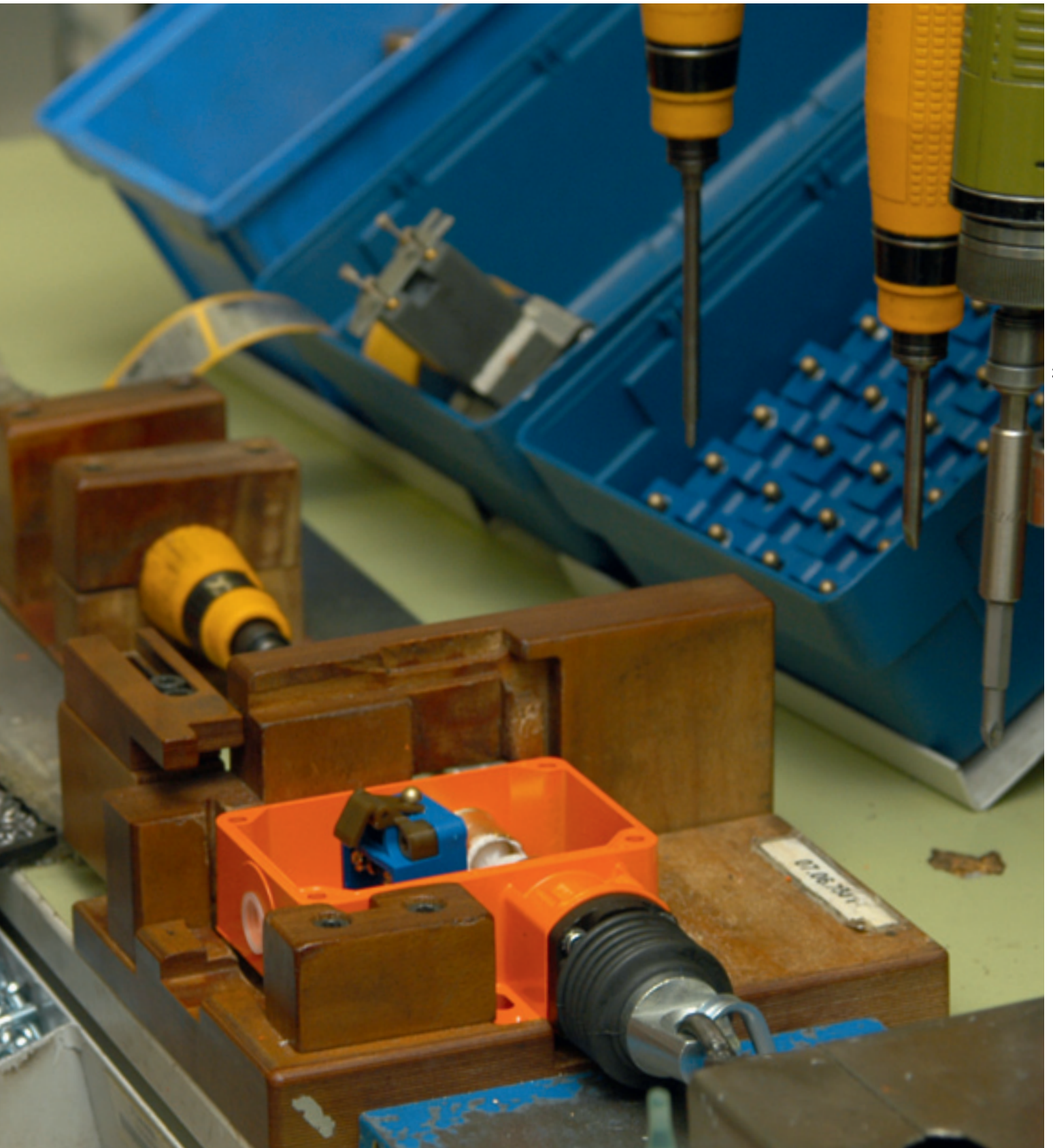
Key release
 ZS 75 1Ö/1S VS/295-390 N

 ZS 75 2Ö/2S VS/120-180 N
 ZS 75 2Ö/2S VS/295-390 N

Order Number
 75141601

 75441604
 75441602

PRODUCTION PROCESS ASSEMBLY
MOUNTING OF THE SWITCH INSERTS AT EMERGENCY PULL-WIRE SWITCHES



Emergency pull-wire switches, one-side actuation

// Series ZS 441

Features/Options

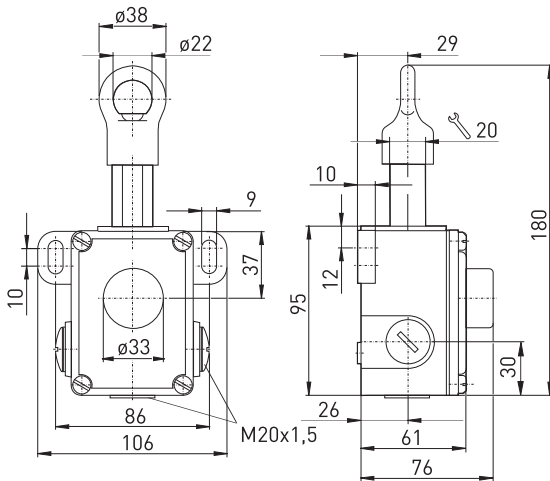
- Metal enclosure
- 2 contacts
- Wire length up to 60 m
- 150 N spring force for max. 60 m
- Release by push button or key possible
- Available without unlocking mechanism (per DIN EN 60947-5-1)
- Wire pull and breakage detection

// ZS 441



Technical data

Standards	IEC/EN 60947-5-1, IEC/EN 60947-5-5, EN 418, EN ISO 13849-1
Enclosure	aluminium die-cast, enamel finish
Cover	aluminium die-cast, enamel finish
Degree of protection	ZS 441 VD: IP 65; ZS 441 VS: IP 54 to IEC/EN 60529
Contact material	silver
Switching elements	change-over contact with double break or 2 NC contacts
Switching system	snap action, positive break NC contacts ⊖
Connection	screw terminals
Cable section	max. 2.5 mm ² (incl. conductor ferrules)
Cable entry	3 x M20 x 1.5
B_{10d} (10 % load)	200 000
T_M	max. 20 years
U_{imp}	6 kV
U_i	400 V
I_{the}	6 A
Utilisation category	AC-15
I_e/U_e	6 A/400 VAC
Max. fuse rating	6 A gL/gG D-fuse
Ambient temperature	-25 °C ... +70 °C
Mech. life	> 100 000 operations
Indicator lamp	as option
Max. wire length	60 m
Features	wire pull and breakage detection
Approvals	



Contact variants: switch travel/contacts

	Snap action
1 NC/1 NO contact	ZS 441 10/1S
2 NC contacts	ZS 441 20

Ordering details

ZS 441	10/1S	VD/150	N-G	
				Indicator lamp, accessories (appendix)
				150 N pre-stress force
				VD push button release (VS key release)
				1 NC/1 NO contact (20)
				Series
				Emergency pull-wire switch

At 5 m distance intermediate wire supports are required. One wire thimble is provided. Details related to pre-stress and actuating forces are indicated on page 13.

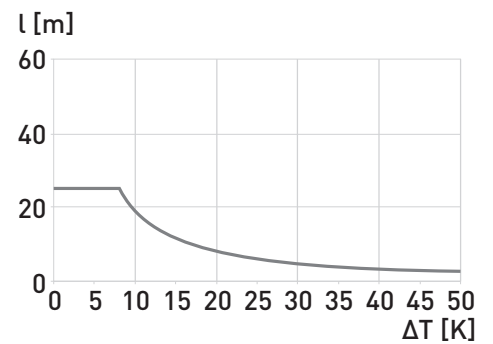
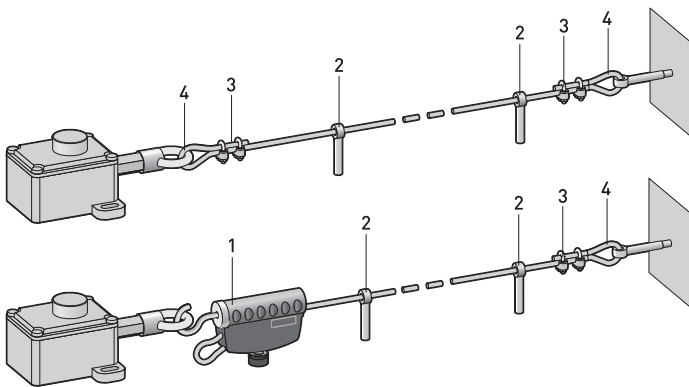
Emergency pull-wire switches, one-side actuation

// Series ZS 441, mounting

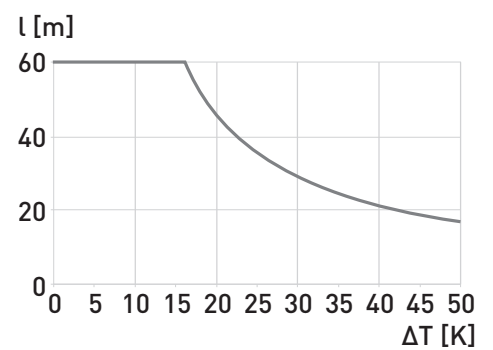
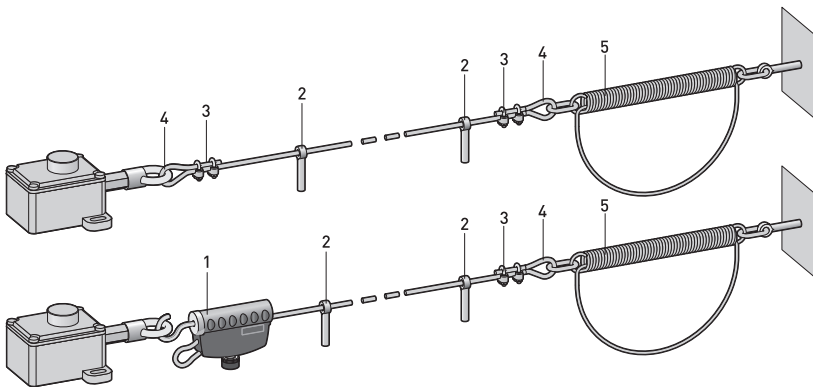
Legend

1 Cable tensioner system TS 65	04.71.7101
2 Eye bolt M8 x 70 with nut	04.00.7112
3 Wire clamp	01.10.0003
4 Wire thimble 3B	01.10.0001
5 Tension spring ZS 73/75-200N	04.00.7155
6 Pull-wire per metre	01.09.0011

// Mounting without tension spring



// Mounting with tension spring



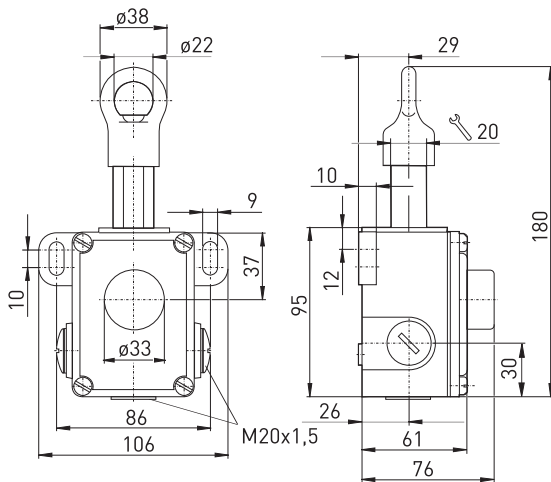
Emergency pull-wire switches, one-side actuation

// Series ZS 441, variants

Features/Options

- Indicator lamps for various voltages are indicated in chapter accessories in the appendix
- Indicator lamp position in the left side cable entry, other positions possible on request

// Push-button release VD



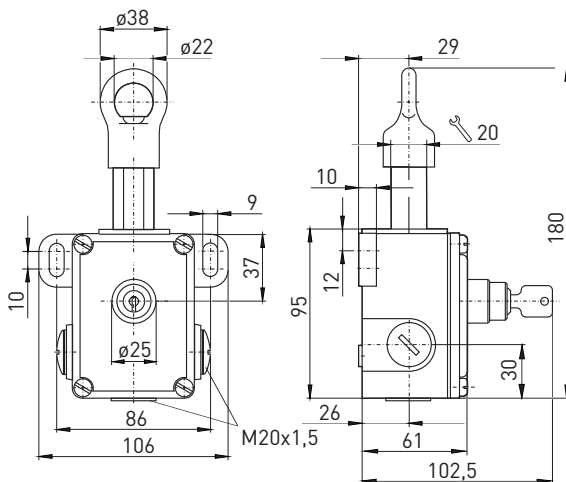
Push-button release
ZS 441 1Ö/1S VD/150 N

Order Number
74141502

ZS 441 2Ö VD/150 N

74541502

// Key release VS



Key release
ZS 441 1Ö/1S VS/150 N

Order Number
74141602

ZS 441 2Ö VS/150 N

74541602

PRODUCTION PROCESS ASSEMBLY
MOUNTING OF THE PULL-WIRE UNIT AT EMERGENCY PULL-WIRE SWITCHES




Emergency pull-wire switches, one-side actuation

// Series ZS 80

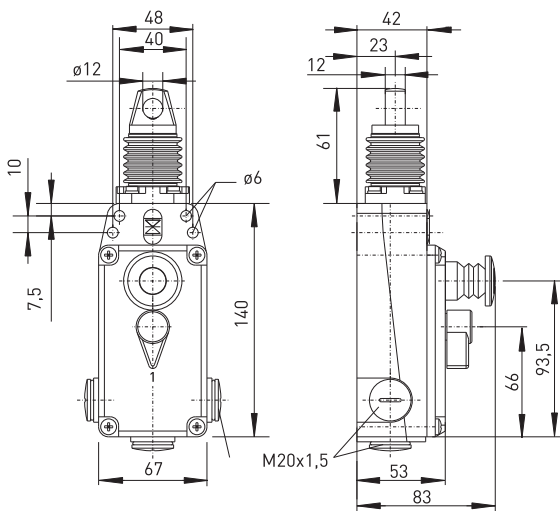
Features/Options

- Metal enclosure
- 4 contacts
- Position indicator and integrated emergency-stop push button
- Wire length up to 100 m
- Pretensioning force 100 N
- Lever for release and position indication
- Watertight collar
- Wire pull and breakage detection
- Indicator lamp available for various voltages see chapter accessories in the appendix

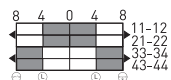
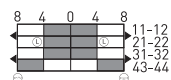
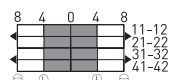
Technical data

Standards	IEC/EN 60947-5-1, IEC/EN 60947-5-5, EN 418, EN ISO 13849-1
Enclosure	aluminium die-cast, enamel finish
Cover	glass-fibre reinforced, shock-proof thermoplastic, ultramid
Degree of protection	IP 67 to IEC/EN 60529
Contact material	silver
Switching elements	2 NC/2 NO, 3 NC/1 NO or 4 NC contacts with double break
Switching system	slow action, positive break NC contacts ⊖
Connection	2 x 4-pole terminal block
Cable section	max. 2.5 mm ² (incl. conductor ferrules)
Cable entry	3 x M20 x 1.5
B_{10d} (10 % load)	200 000
T_M	max. 20 years
U_{imp}	2.5 kV
U_i	250 V
I_{the}	2 A
Utilisation category	AC-15
I_e/U_e	2 A/250 VAC
Max. fuse rating	2 A gL/gG D-fuse
Ambient temperature	-25 °C ... +70 °C
Mech. life	> 100 000 operations
Indicator lamp	as option
Max. wire length	100 m
Features	wire pull and breakage detection
Approvals	

// ZS 80

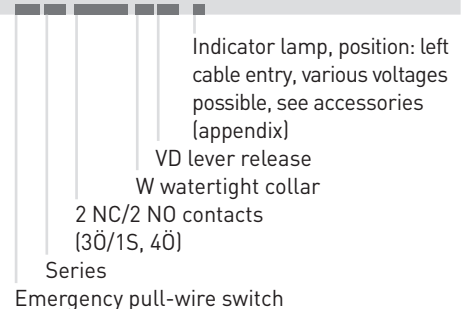


Contact variants: switch travel/contacts

	Snap action	Order No.
2 NC/2 NO contact	ZS 80 2Ö/2S WVD 	72942501
3 NC/1 NO contacts	ZS 80 3Ö/1S WVD 	72942502
4 NC contacts	ZS 80 4Ö WVD 	72942503

Ordering details

ZS 80 2Ö/2S WVD-G



At 5 m distance intermediate wire supports are required. One wire thimble is provided. Details related to pre-stress and actuating forces are indicated on page 13.

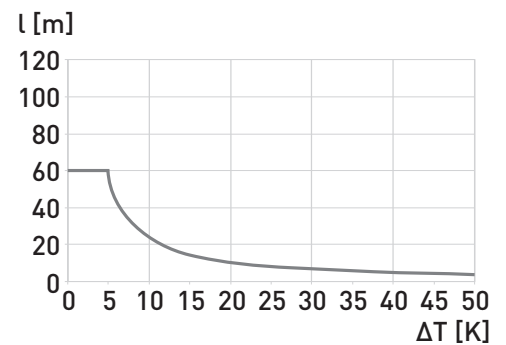
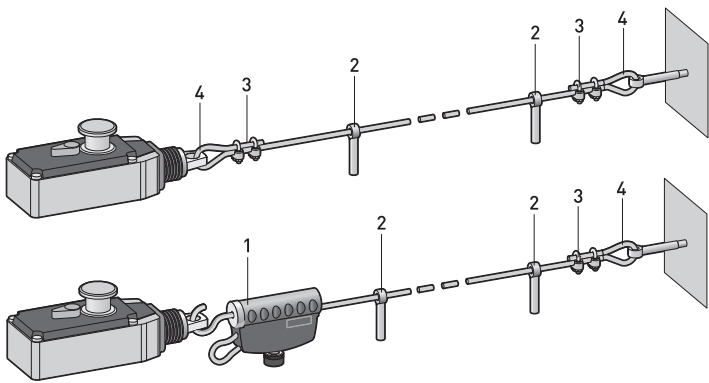
Emergency pull-wire switches, one-side actuation

// Series ZS 80, mounting

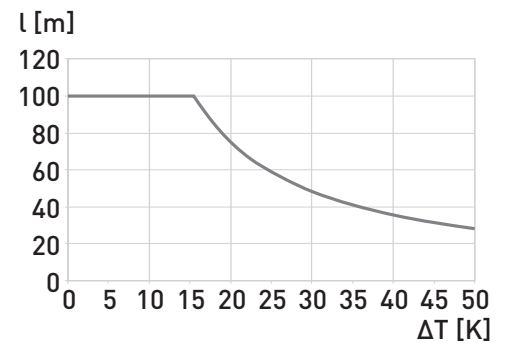
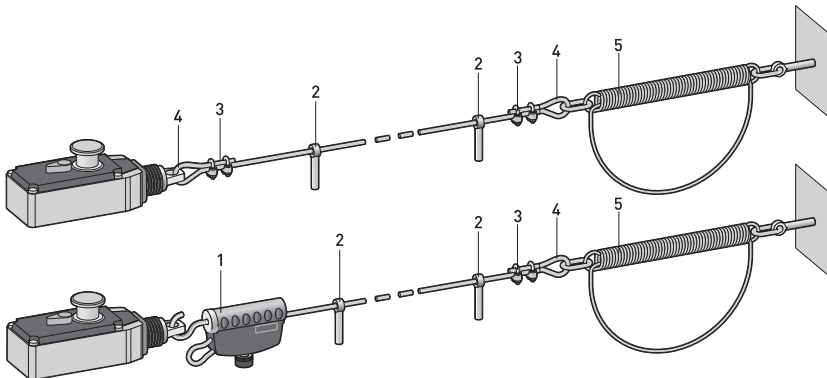
Legend

1 Cable tensioner system TS 65	04.71.7101
2 Eye bolt M8 x 70 with nut	04.00.7112
3 Wire clamp	01.10.0003
4 Wire thimble 3B	01.10.0001
5 Tension spring ZS 80	04.00.7156
6 Pull-wire per metre	01.09.0011

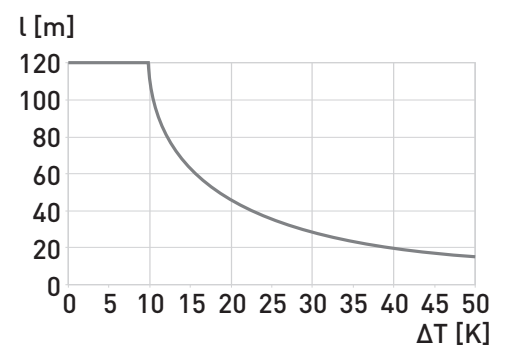
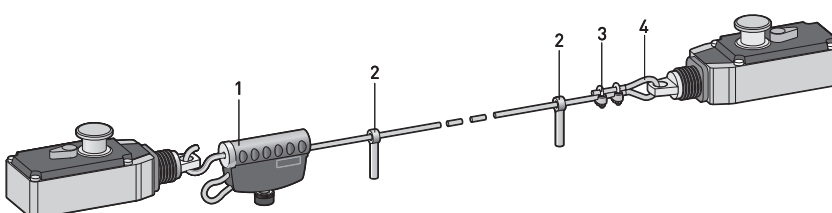
// Mounting without tension spring



// Mounting with tension spring



// Mounting with 2 emergency pull-wire switches



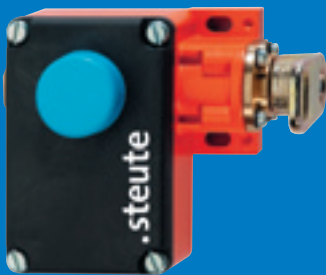
Emergency pull-wire switches, two-side actuation

// Series ZS 73 S

Features/Options

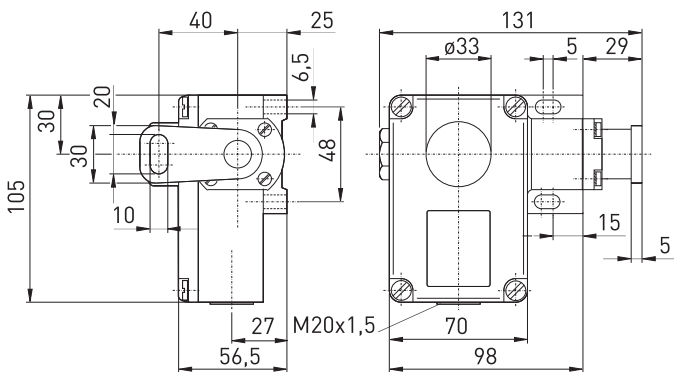
- Metal enclosure
- 2 contacts
- Wire length up to 2 x 100 m
- Release by push button or key possible
- Available without unlocking mechanism (per DIN EN 60947-5-1)
- Wire pull and breakage detection
- Ex version available

// ZS 73 S



Technical data

Standards	IEC/EN 60947-5-1, IEC/EN 60947-5-5, EN 418, EN ISO 13849-1
Enclosure	aluminium die-cast, enamel finish; ZS 73 NIRO: aluminium die-cast, hard-coated and enamelled
Cover	glass-fibre reinforced, shock-proof thermoplastic, ultramid
Degree of protection	ZS 73 S VD: IP 65; ZS 73 S VS: IP 54 to IEC/EN 60529
Contact material	silver
Switching elements	change-over contact with double break or 2 NC contacts
Switching system	snap action, positive break NC contacts ⊖
Connection	screw terminals
Cable section	max. 2.5 mm ² (incl. conductor ferrules)
Cable entry	2 x M20 x 1.5
B_{10d} (10 % load)	200 000
T_M	max. 20 years
U_{imp}	6 kV
U_i	400 V
I_{the}	6 A
Utilisation category	AC-15
I_e/U_e	6 A/400 VAC
Max. fuse rating	6 A gL/gG D-fuse
Ambient temperature	-25 °C ... +70 °C
Mech. life	> 100 000 operations
Indicator lamp	as option
Max. wire length	2 x 100 m
Features	wire pull and breakage detection
Approvals	



Contact variants: switch travel/contacts

	Snap action
1 NC/1 NO contact	ZS 73 S 10̄/1S
2 NC contacts	ZS 73 S 20̄

Ordering details

ZS 73 S 10̄/1S VD-NIRO-G	
	Indicator lamp, accessories (appendix)
	NIRO pull-wire unit
	VD push button release (VS key release, blank without manual latching))
	1 NC/1 NO contact (20̄)
	S two-side actuation
	Series
	Emergency pull-wire switch

At 4 m distance intermediate wire supports are required. Two tension springs type ZS 73/75 S must be installed see chapter accessories in the appendix.

Emergency pull-wire switches, two-side actuation

// Series ZS 73 S, mounting

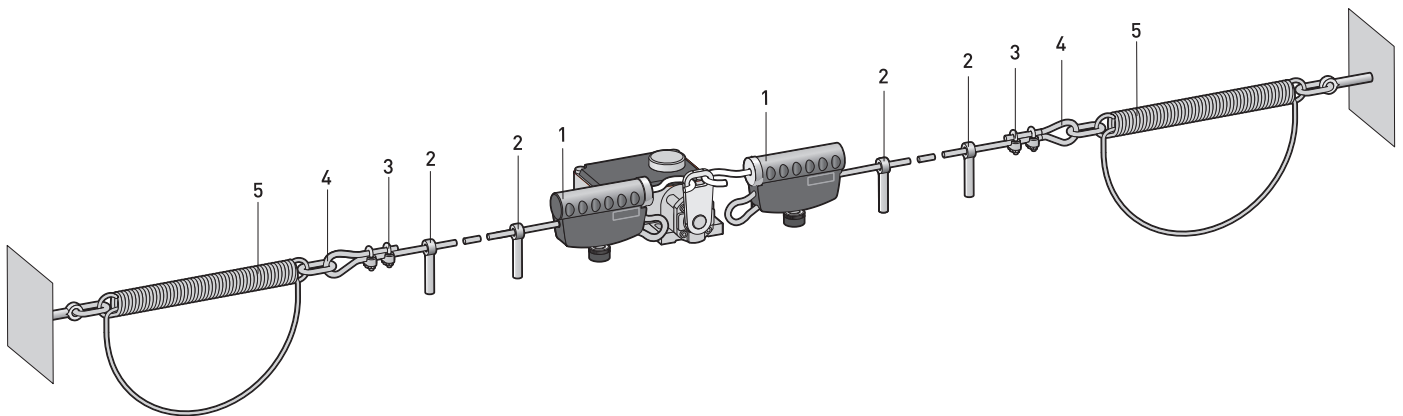
Legend

1 Cable tensioner system TS 65	04.71.7101
2 Eye bolt M8 x 70 with nut	04.00.7112
3 Wire clamp	01.10.0003
4 Wire thimble 3B	01.10.0001
5 Tension spring ZS 73/75 S	04.00.7158
6 Pull-wire per metre	01.09.0011

Note

- Always mount emergency pull-wire switch in middle position.

// Mounting with tension spring



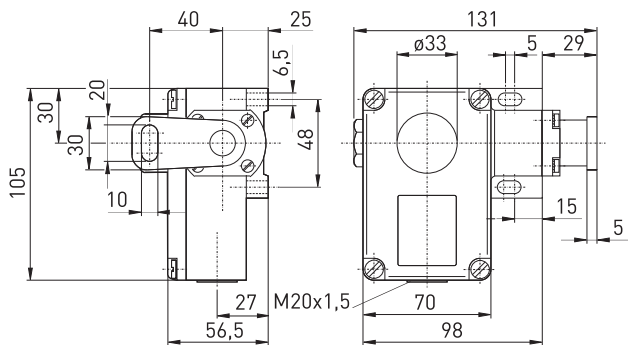
Emergency pull-wire switches, two-side actuation

// Series ZS 73 S, variants

Features/Options

- Indicator lamps for various voltages are indicated in chapter accessories in the appendix
- Indicator lamp position in the left side cable entry, other positions possible on request
- With 2 cable entries available on request

// Push-button release VD



Push-button release
ZS 73 S 10/1S VD

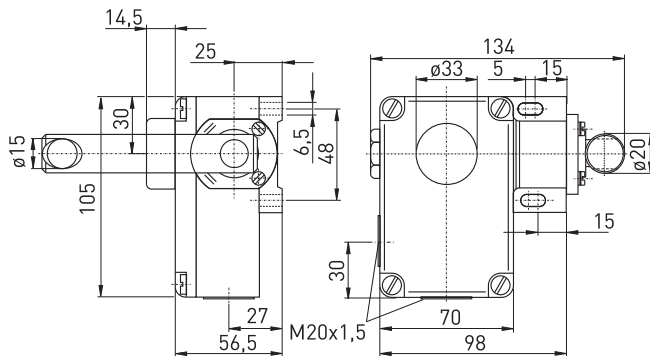
Order Number
73130501

ZS 73 S 20 VD

73530501

36

// Stainless Steel ZS 73 S NIRO



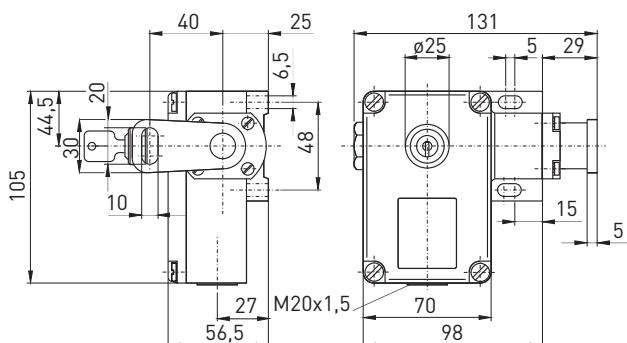
Features/Options

- ZS 73 NIRO: pull-wire lever and screws made of stainless steel 1.4305, hard-coated enclosure with enamel finish

Stainless Steel/Push-button release
ZS 73 S 10/1S VD Niro

Order Number
73130902

// Key release VS



Key release
ZS 73 S 10/1S VS

Order Number
on request

QUALITY MANAGEMENT
SHOCK TEST OF AN EMERGENCY PULL-WIRE SWITCH



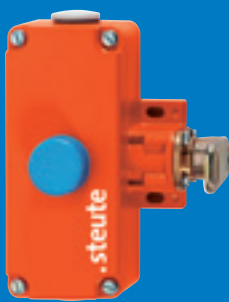
Emergency pull-wire switches, two-side actuation

// Series ZS 75 S

Features/Options

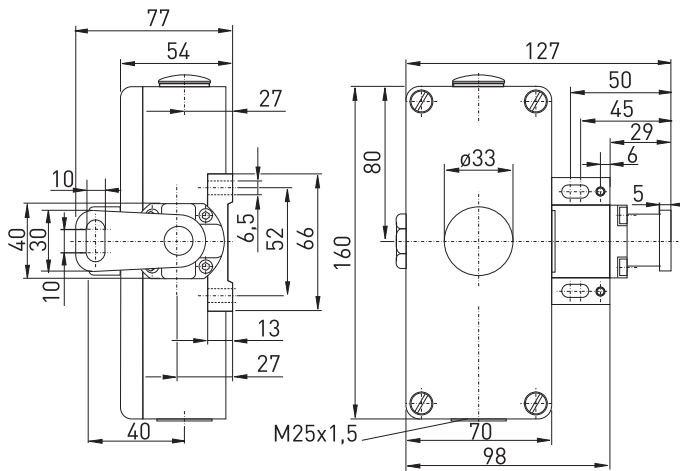
- Metal enclosure
- 2 or 4 contacts
- Wire length up to 2 x 100 m
- Release by push button or key possible
- Available without unlocking mechanism (per DIN EN 60947-5-1)
- Wire pull and breakage detection
- Version with Dupline or Dupline Safe available
- Ex version available

// ZS 75 S



Technical data

Standards	IEC/EN 60947-5-1, IEC/EN 60947-5-5, EN 418, EN ISO 13849-1
Enclosure	aluminium die-cast, enamel finish
Cover	aluminium die-cast, enamel finish
Degree of protection	ZS 75 S VD: IP 65; ZS 75 S VS: IP 54 to IEC/EN 60529
Contact material	silver
Switching elements	change-over contact with double break or 2 NO/2 NC or 4 NC contacts
Switching system	snap action, positive break NC contacts ⊖
Connection	screw terminals
Cable section	max. 2.5 mm ² (incl. conductor ferrules)
Cable entry	2 x M25 x 1.5
B_{10d} (10 % load)	200 000
T_M	max. 20 years
U_{imp}	6 kV
U_i	400 V
I_{the}	6 A
Utilisation category	AC-15
I_e/U_e	6 A/400 VAC
Max. fuse rating	6 A gL/gG D-fuse
Ambient temperature	-25 °C ... +70 °C
Mech. life	> 100 000 operations
Indicator lamp	as option
Max. wire length	2 x 100 m
Features	wire pull and breakage detection
Approvals	



Contact variants: switch travel/contacts

	Snap action
1 NC/1 NO contact	ZS 75 S 10̇/1S
2 NC/2 NO contacts	ZS 75 S 20̇/2S
4 NC contacts	ZS 75 S 40̇

Ordering details

ZS 75 S 20̇/2S VD-G-DP	Dupline (DPS Dupline Safe)
	Indicator lamp, accessories (appendix)
	VD push button release (VS key release)
	2 NC/2 NO contacts (10̇/1S, 40̇)
	S two-side actuation
	Series
	Emergency pull-wire switch

At 4 m distance intermediate wire supports are required. Two tension springs type ZS 73/75 S must be installed see chapter accessories in the appendix.

Emergency pull-wire switches, two-side actuation

// Series ZS 75 S, mounting

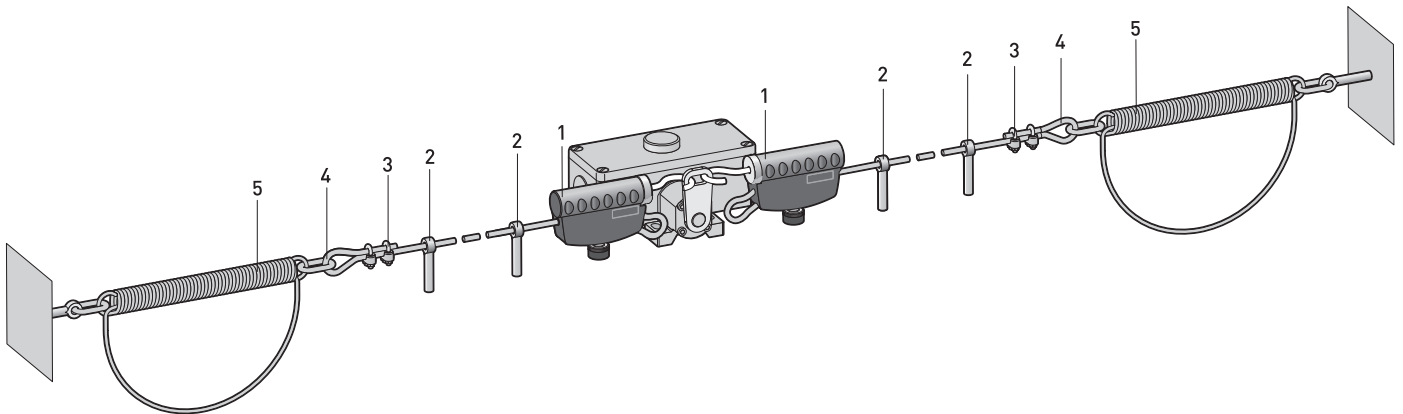
Legend

1 Cable tensioner system TS 65	04.71.7101
2 Eye bolt M8 x 70 with nut	04.00.7112
3 Wire clamp	01.10.0003
4 Wire thimble 3B	01.10.0001
5 Tension spring ZS 73/75 S	04.00.7158
6 Pull-wire per metre	01.09.0011

Note

- Always mount emergency pull-wire switch in middle position.

// Mounting with tension spring



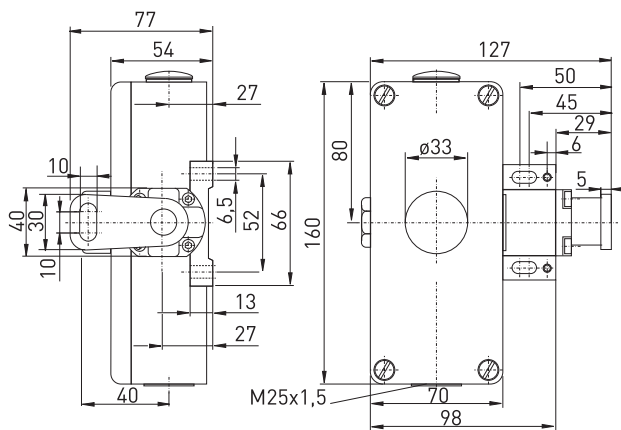
Emergency pull-wire switches, two-side actuation

// Series ZS 75 S, variants

Features/Options

- Indicator lamps for various voltages are indicated in chapter accessories in the appendix
- Indicator lamp position in the left side cable entry, other positions possible on request

// ZS 75 S



Order Number

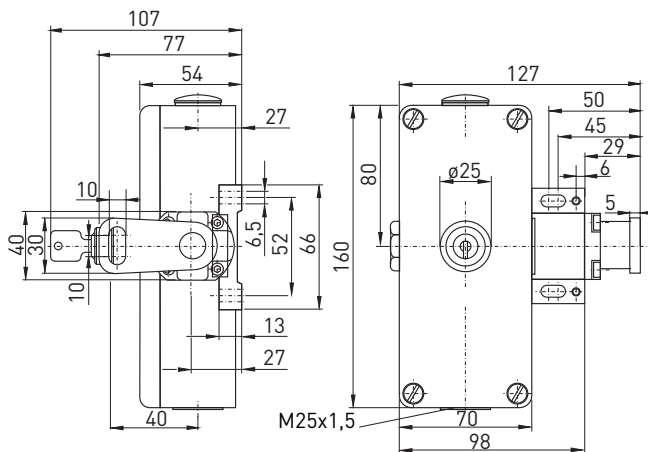
ZS 75 S 10/1S VD order No. 75130501

ZS 75 S 20/2S VD order No. 75430503

ZS 75 S 40 VD order No. 75930501

40

// Key release VS

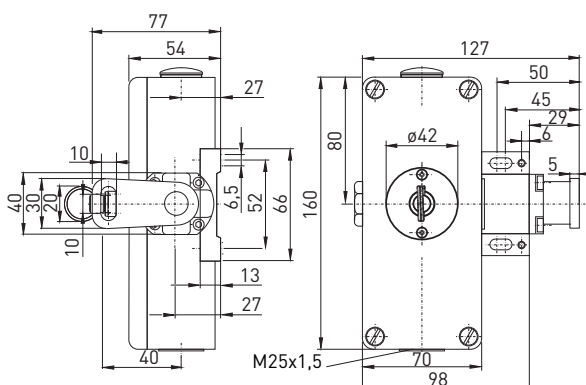


Order Number

ZS 75 S 10/1S VS order No. 75130601

ZS 75 S 20/2S VS order No. 75430603

// Pull-ring release VZ



Order Number

ZS 75 S 20/2S VZ order No. 75430922

QUALITY MANAGEMENT
LIFE TEST OF UNLOCKING MECHANISM



Emergency pull-wire switches, two-side actuation

// Series ZS 90 S

Features/Options

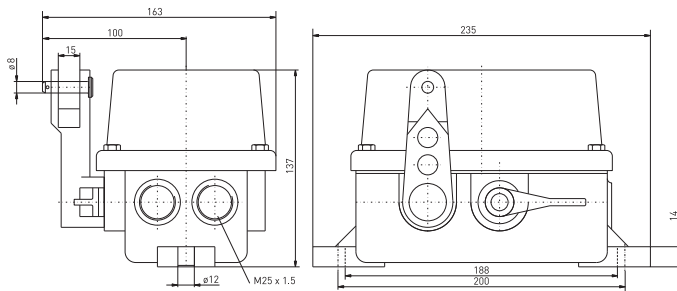
- Thermoplastic enclosure
- 4 contacts
- Wire length up to 2 x 50 m
- Release by lever possible
- Available without unlocking mechanism (per DIN EN 60947-5-1)
- Wire pull and breakage detection
- Version with Dupline or Dupline Safe available
- Ex version available

// ZS 90 S



Technical data

Standards	IEC/EN 60947-5-1, IEC/EN 60947-5-5, EN 418 EN ISO 13849-1
Enclosure	Duroplast, UV resistant to EN ISO 4892
Cover	Duroplast, UV resistant to EN ISO 4892
Protection class	IP 67 to IEC 60529
Contact material	silver
Switching elements	2 NO/2 NC with double break
Schaltssystem	snap action, positive break NC contacts ⊖
Termination	screw terminals
Cable section	max. 2.5 mm ² (incl. conductor ferrules)
Cable entry	2 x M25 x 1.5
B _{10d} (10% Nennlast)	200 000
T _M	max. 20 years
U _{imp}	4 kV
U _i	400 V
I _{the}	10 A
Utilisation category	AC-15
I _e /U _e	1 A/230 VAC
Max. fuse rating	6 A gG D fuse
Ambient temperature	-40 °C ... +85 °C
Mech. life	> 100 000 operations
Max. wire length	2 x 50 m
Features	wire pull and breakage detection



Contact variants: switch travel/contacts

	Snap action	Order No.
2 NC/2 NO contacts	<p>ZS 90 S 2Ö/2S</p>	76430501

Ordering example

ZS 90 S 2Ö/2S VD-DP	<p>DP Dupline (DPS Dupline Safe)</p> <p>VD lever release (blank without manual latching)</p> <p>2 NC/2 NO contacts</p> <p>S two-side actuation</p> <p>Series</p> <p>Emergency pull-wire switch</p>
---------------------	--

At 4 m distance intermediate wire supports are required. Two tension springs type RZ 130K must be installed see chapter accessories in the appendix.

Emergency pull-wire switches, two-side actuation

// Series ZS 90 S, mounting

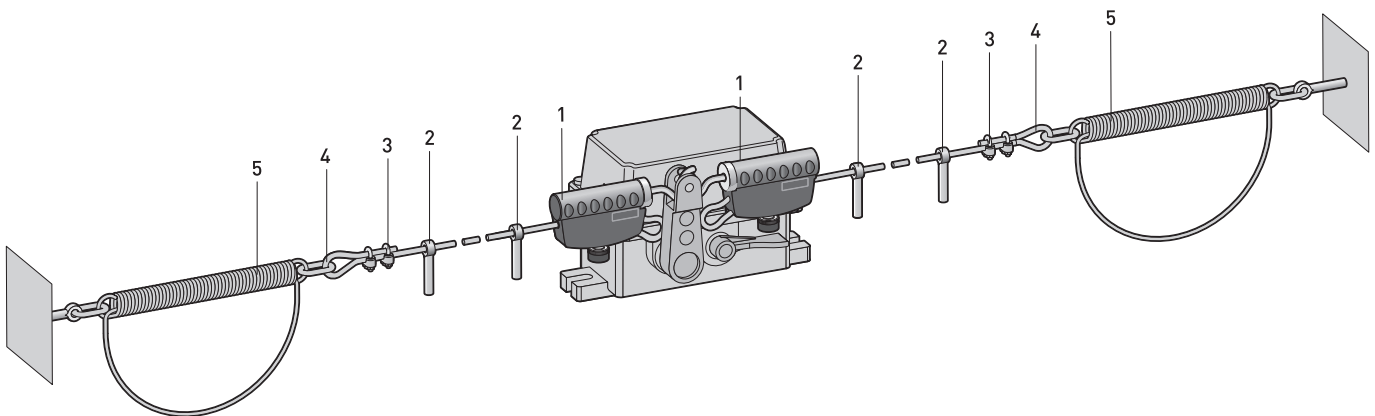
Legend

1 Cable tensioner system TS 65	04.71.7101
2 Eye bolt M8 x 70 with nut	04.00.7112
3 Wire clamp	01.10.0003
4 Wire thimble 3B	01.10.0001
5 Tension spring RZ-130K	04.76.7101
6 Pull-wire per metre	01.09.0011

Note

- Always mount emergency pull-wire switch in middle position.

// Mounting with tension spring







Belt-alignment switches

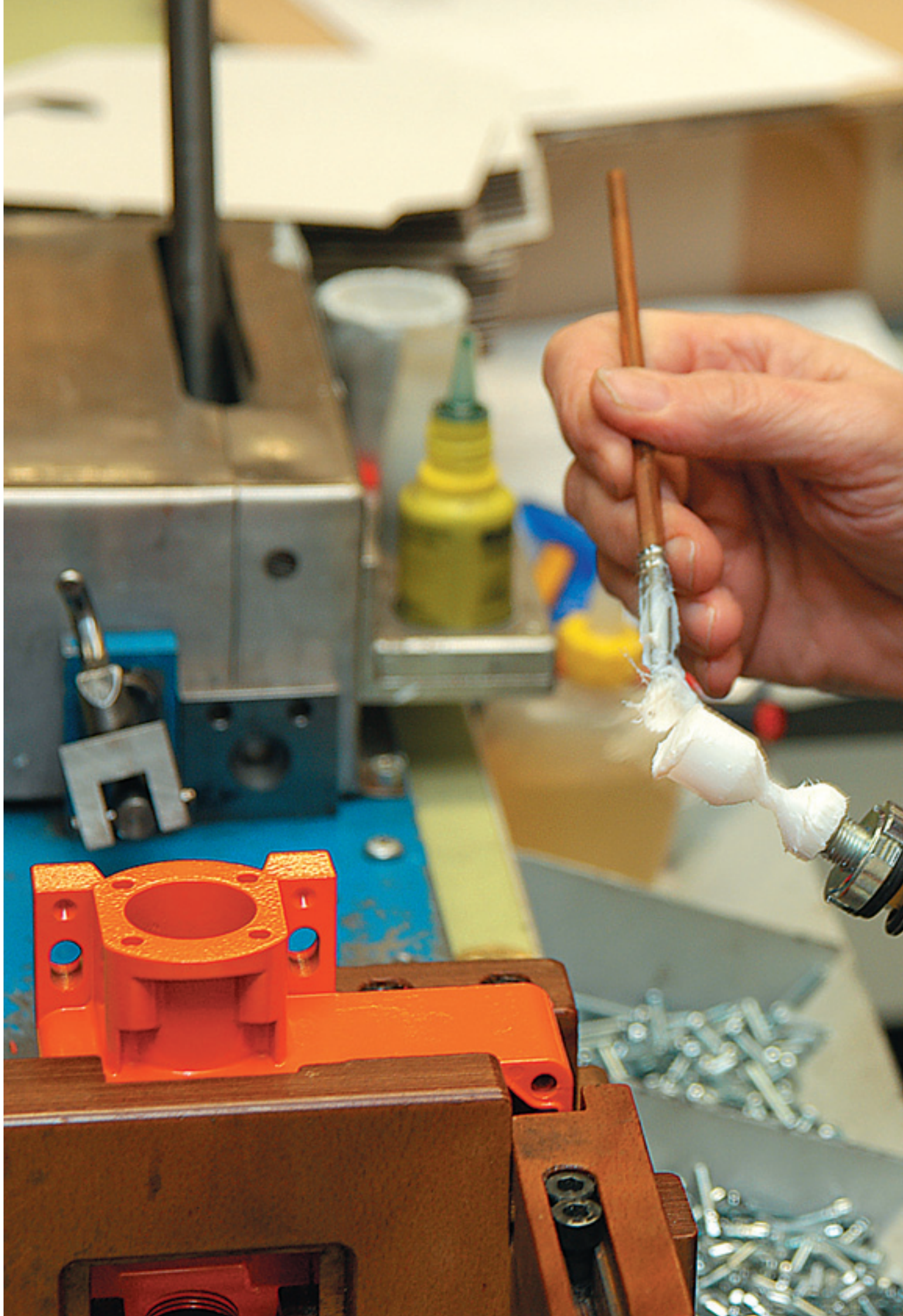
// Series ES 61 SR
from page 48

// Series ZS 73 SR
from page 50

// Series ZS 75 SR
from page 52

// Series ZS 90 SR
from page 54

ZS 73 SR



Belt-alignment switches

Application

Belt-alignment switches are suitable for applications with handling equipment. Here they are installed e.g. at both sides of a conveyor belt in order to monitor the misalignment of the belt.

Belt misalignment, evoked by for example not in the middle of conveyor belt positioned goods or pollution of track idlers and deflection pulleys, can lead without any monitoring measurements to damage, destruction, material covering and dropping.

Design and mode of operation

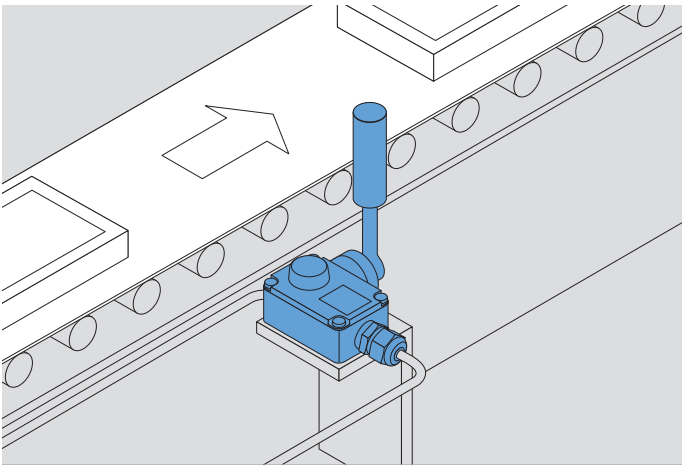
Belt-alignment switches are actuated when the conveyor belt becomes misaligned. Depending on the plant arrangements, this signal can either be used to switch the equipment off or to provide automatic correction of the belt alignment. Thus they should be installed at both sides of the conveyor belt close to the deflection and drive pulleys. In case of very long conveyor systems further belt-alignment switches must be installed. Those are actuated with the misalignment of the conveyor belt. This signal can either switch the system off or start an automatic belt position correction, as well as at the same time generate an optical or acoustic indicating or warning signal.

All Belt-alignment switches have positive break NC contacts and those of series ZS also have a mechanical latching. At actuation the NC contacts are opened and latched mechanically. The release can either be carried by push button or key. Thus an unintentional, automatic restart of the conveyor belt is prevented.

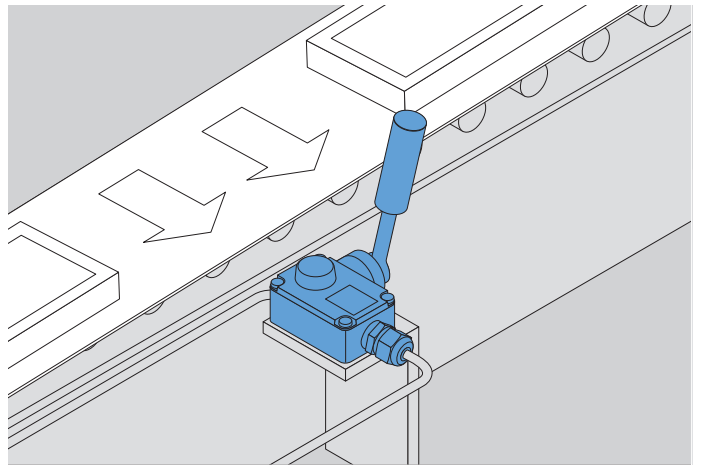
All belt-alignment switches bear the CE mark according to the Machinery Directive 2006/42/EC.

Application

Monitoring an conveyor belt



Belt-alignment switch in actuated state



Belt-alignment switches

// Series ES 61 SR

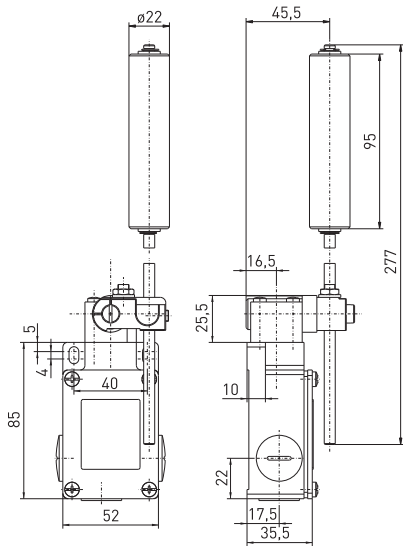
- Features/Options
- Metal enclosure
 - Slow action: 2 contacts

// ES 61 SR



Technical data

Standards	IEC/EN 60947-5-1, EN ISO 13849-1
Enclosure	aluminium die-cast, enamel finish
Cover	steel, enamel finish
Degree of protection	IP 65
Contact material	silver
Switching elements	change-over contact with double break with galvanically separated contact bridges
Switching system	slow action
Connection	M3.5 screw terminals
Cable section	max. 2.5 mm ² (incl. conductor ferrules)
Cable entry	3 x M20 x 1.5
B _{10d} (10 % load)	1 million
T _M	10 years
U _{imp}	6 kV
U _i	400 V
I _{the}	10 A
Utilisation category	AC-15
I _e /U _e	6 A/400 VAC
Max. fuse rating	6 A gL/gG D-fuse
Ambient temperature	-20 °C ... +80 °C
Mech. life	> 1 million operations
Switching frequency	3600/h
Approvals	



Contact variants: switch travel/contacts

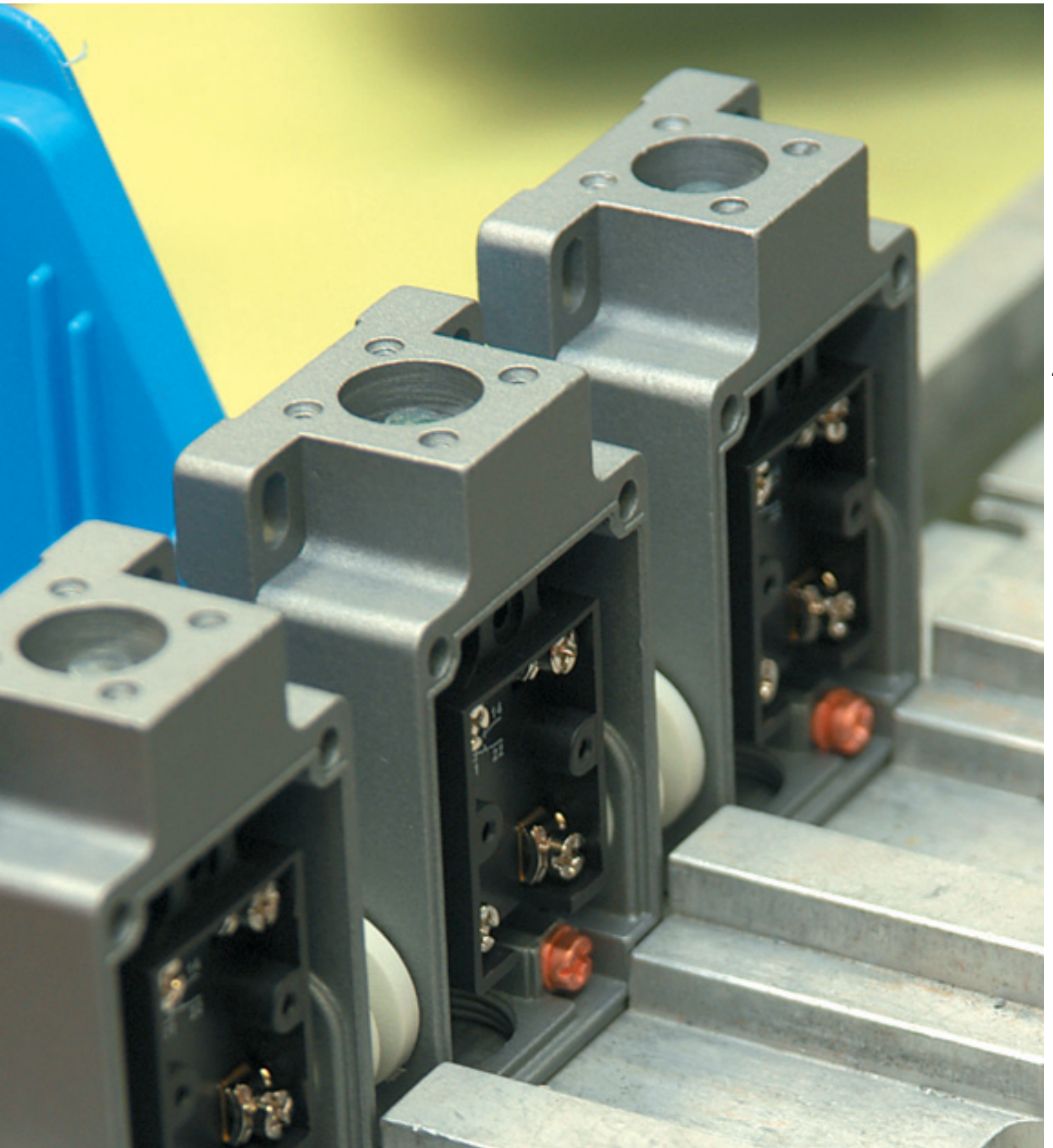
	Slow action	Order Number
1 NC/1 NO contact	ES 61 SR 10/1S 	61031001
1 NC/1 NO contact with overlapping	ES 61 SR UE 	61231001

Ordering details

ES 61 SR 10/1S

- 1 NC/1 NO contact, (UE 1 NC/1 NO contact with contact overlapping)
- SR Belt-alignment lever
- Series
- S Slow action (M snap action)

PRODUCTION PROCESS ASSEMBLY
MOUNTING OF ACTUATOR



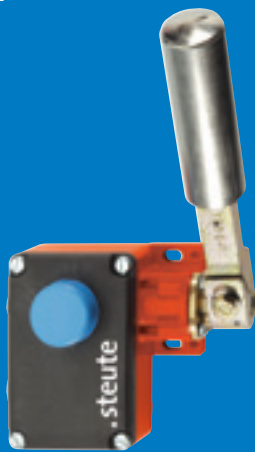
Belt-alignment switches

// Series ZS 73 SR

Features/Options

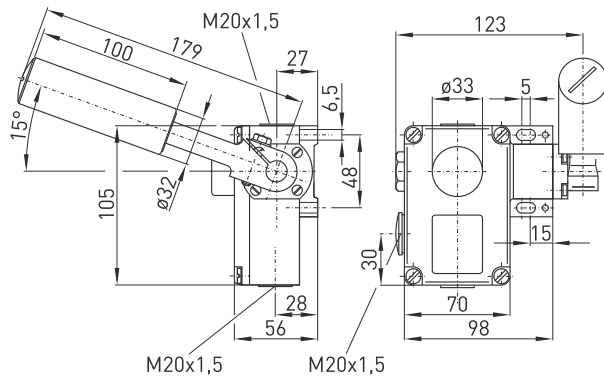
- Metal enclosure
- 2 contacts
- Release by push button or key possible
- Belt-alignment roller made of stainless steel 1.4104
- Ex version available

// ZS 73 SR



Technical data

Standards	IEC/EN 60947-5-1, EN ISO 13849-1
Enclosure	aluminium die-cast, enamel finish;
Cover	glass-fibre reinforced, shockproof thermoplastic, ultramid
Degree of protection	ZS 73 SR VD: IP 65; ZS 73 SR VS: IP 54 to IEC/EN 60529
Contact material	silver
Switching elements	change-over contact with double break or 2 NC contacts
Switching system	snap action, positive break NC contacts ⊖
Connection	screw terminals
Cable section	max. 2.5 mm ² (incl. conductor ferrules)
Cable entry	2 x M20 x 1.5
B_{10d} (10 % load)	ZS 73 SR: 2 million; ZS 73 SR VD/VS: 200 000
T_M	max. 20 years
U_{imp}	6 kV
U_i	400 V
I_{the}	6 A
Utilisation category	AC-15
I_e/U_e	6 A/400 VAC
Max. fuse rating	6 A gL/gG D-fuse
Ambient temperature	-25 °C ... +70 °C
Mech. life	ZS 73 SR: > 1 million operations ZS 73 SR VD/VS: > 100 000 operations
Indicator lamp	as option
Approvals	



Contact variants: switch travel/contacts

	Snap action
1 NC/1 NO contact	ZS 73 SR 1Ö/1S
2 NC contacts	ZS 73 SR 2Ö

Ordering details

ZS 73 SR 1Ö/1S VD-G

Indicator lamp, see accessories (appendix)
 VD Push button release
 [VS key release, blank without manual latching]
 1 NC/1 NO contact (2Ö)
 SR Belt-alignment lever
 Series
 Belt-alignment switch

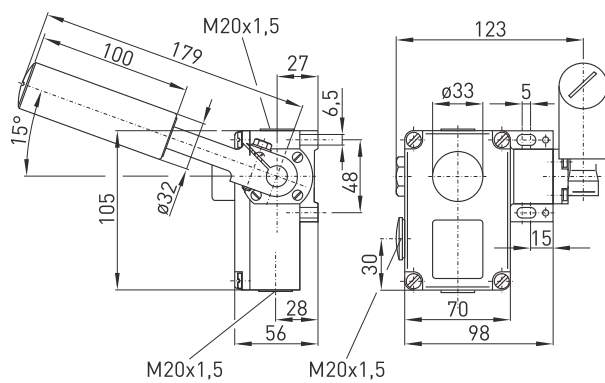
Belt-alignment switches

// Series ZS 73 SR, variants

Features/Options

- Indicator lamps for various voltages are indicated in chapter accessories in the appendix
- Indicator lamp position in the left side cable entry, other positions possible on request
- With 2 cable entries available on request

// Push-button release VD



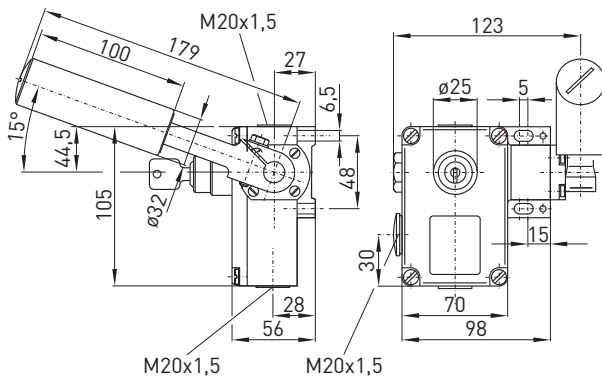
Push-button release
ZS 73 SR 10/1S VD

Order Number
73131501

Without release
ZS 73 SR 10/1S

Order Number
73131001

// Key release VS



Key release
ZS 73 SR 10/1S VS

Order Number
on request

Belt-alignment switches

// Series ZS 75 SR





Features/Options

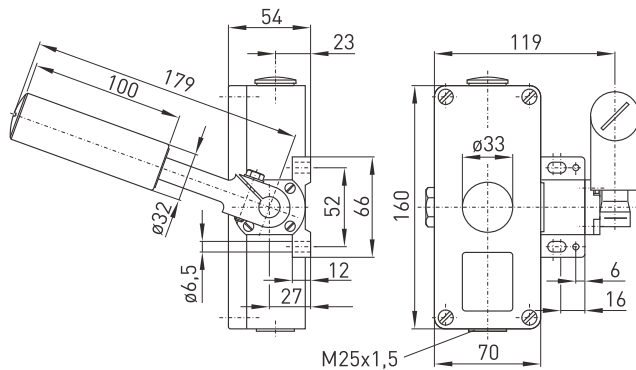
- Metal enclosure
- 2 or 4 contacts
- Release by push button or key possible
- Belt-alignment roller made of stainless steel 1.4104
- Version with Dupline or Dupline Safe available
- Ex version available

// ZS 75 SR

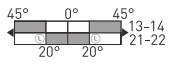
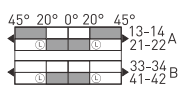
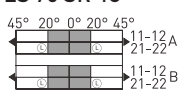


Technical data

Standards	IEC/EN 60947-5-1, EN ISO 13849-1
Enclosure	aluminium die-cast, enamel finish
Cover	aluminium die-cast, enamel finish
Degree of protection	ZS 75 SR VD: IP 65; ZS 75 SR VS: IP 54 to IEC/EN 60529
Contact material	silver
Switching elements	change-over contact with double break or 2 NO and 2 NC or 4 NC
Switching system	snap action, positive break NC contacts ⊖
Connection	screw terminals
Cable section	max. 2.5 mm ² (incl. conductor ferrules)
Cable entry	2 x M25 x 1.5
B_{10d} (10 % load)	ZS 75 SR: 2 million; ZS 75 SR VD/VS: 200 000
T_M	max. 20 years
U_{imp}	6 kV
U_i	400 V
I_{the}	6 A
Utilisation category	AC-15
I_e/U_e	6 A/400 VAC
Max. fuse rating	6 A gL/gG D-fuse
Ambient temperature	-25 °C ... +70 °C
Mech. life	ZS 75 SR: > 1 million operations ZS 75 SR VD/VS: > 100 000 operations
Indicator lamp	as option
Approvals	   



Contact variants: switch travel/contacts

	Snap action
1 NC/1 NO contact	ZS 75 SR 1Ö/1S 
2 NC/2 NO contacts	ZS 75 SR 2Ö/2S 
4 NC contacts	ZS 75 SR 4Ö 

Ordering details

ZS 75 SR 2Ö/2S VD-G-DP

DP Dupline
 (DPS Dupline Safe)
 Indicator lamp, see accessories (appendix)
 VD Push button release
 (VS key release, blank without manual latching)
 2 NC/2 NO contacts (1Ö/1S, 4Ö)
 SR Belt-alignment lever
 Series
 Belt-alignment switch

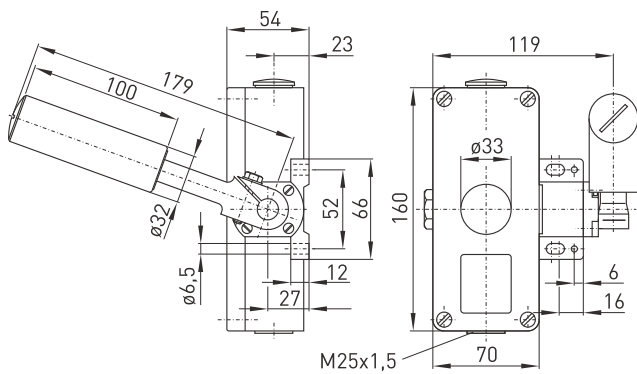
Belt-alignment switches

// Series ZS 75 SR, variants

Features/Options

- Indicator lamps for various voltages are indicated in chapter accessories in the appendix
- Indicator lamp position in the left side cable entry, other positions possible on request

// Push-button release VD



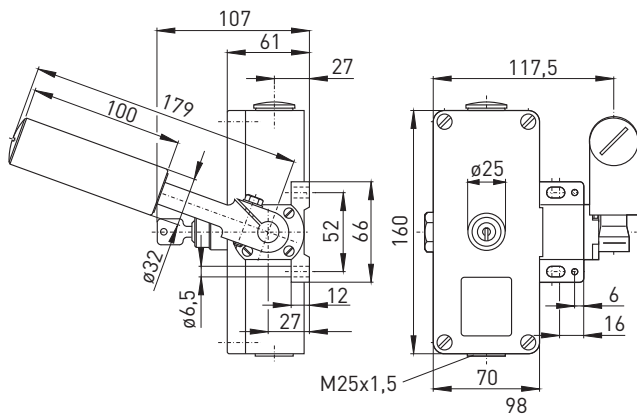
Without release
 ZS 75 SR 10/1S
 ZS 75 SR 20/2S

Order Number
 75131001
 75431002

Push-button release
 ZS 75 SR 10/1S VD
 ZS 75 SR 20/2S VD

Order Number
 75131501
 75431502

// Key release VS



Key release
 ZS 75 SR 10/1S VS
 ZS 75 SR 20/2S VS

Order Number
 75131601
 75431602

Belt-alignment switches

// Series ZS 90 SR

Features/Options

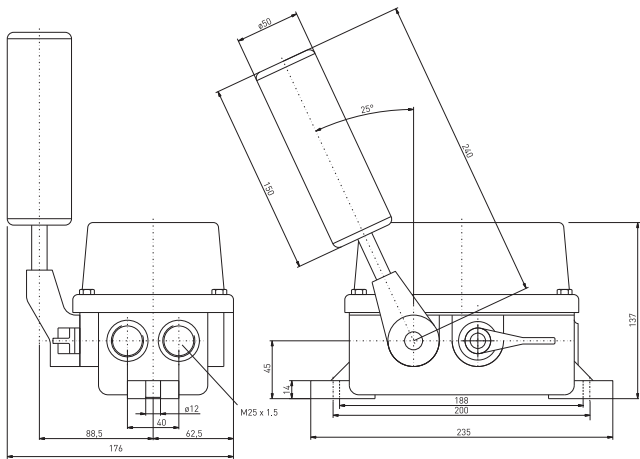
- Thermoplastic enclosure
- 4 contacts with contact staggering:
 - 1 NC and 1 NO contact switching at 15°
 - 1 NC and 1 NO contact switching at 25°
- Release by lever VD possible
- Belt-alignment lever continuously adjustable
- Version with Dupline or Dupline Safe available
- Ex version available

// ZS 90 SR



Technical data

Standards	IEC/EN 60947-5-1, IEC/EN 60947-5-5, EN 418 EN ISO 13849-1
Enclosure	Duroplast, UV resistant to EN ISO 4892
Cover	Duroplast, UV resistant to EN ISO 4892
Degree of protection	IP 67 to IEC 60529
Contact material	silver
Switching elements	2 NO/2 NC contacts with double break
Switching system	snap action, positive break NC contacts ⊖
Connection	screw terminals
Cable section	max. 2.5 mm ² (incl. conductor ferrules)
Cable entry	2 x M25 x 1.5
B_{10d} (10 % load)	ZS 90 SR VD: 200 000, ZS 90 SR: 1 million
T_M	max. 20 years
U_{imp}	4 kV
U_i	400 V
I_{the}	10 A
Gebrauchskategorie	AC-15
I_e/U_e	1 A/230 VAC
Max. fuse rating	6 A gG D fuse
Ambient temperature	-40 °C ... +85 °C
Mech. life	ZS 90 SR VD: > 100 000 operations, ZS 90 SR: > 500 000 operations



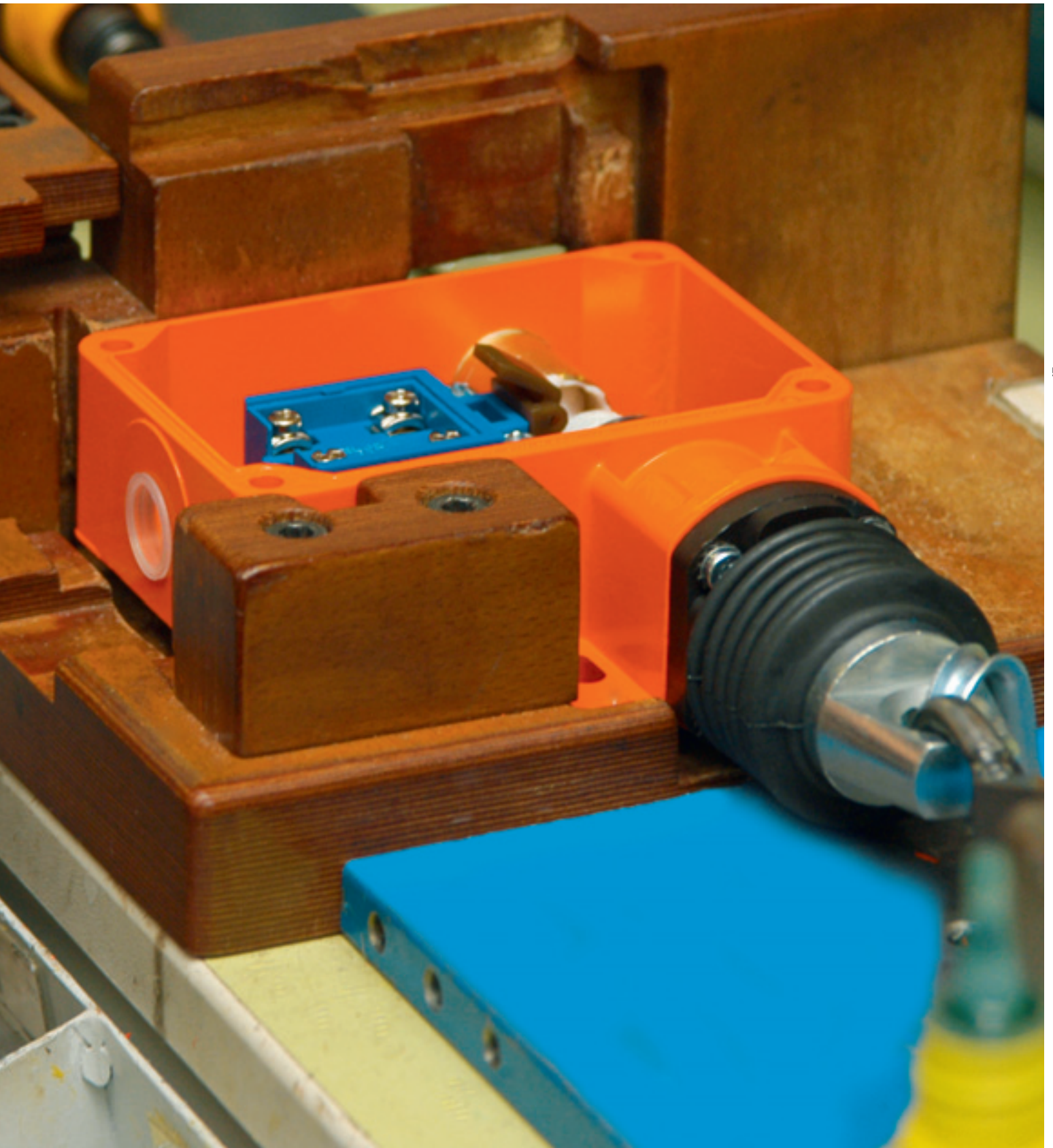
Contact variants: switch travel/contacts

	Snap action	Order Number
2 NC/2 NO contacts	ZS 90 SR 1ÖS/1ÖS VD	76431501
	ZS 90 SR 1ÖS/1ÖS	76431001

Ordering example

ZS 90 SR 1ÖS/1ÖS VD-DP	
	DP Dupline (DPS Dupline Safe)
	VD lever release (blank without manual latching)
	2 NC/2 NO contacts
	SR belt-alignment lever
	Series
	Belt-alignment switch

PRODUCTION PROCESS ASSEMBLY
ASSEMBLY OF PULL-WIRE SWITCH







Pull-wire switches

// Series ES/EM 95 Z

from page 62

// Series ES 51 Z

from page 64

// Series ES/EM 41 Z

from page 66

// Series ES/EM 61 Z

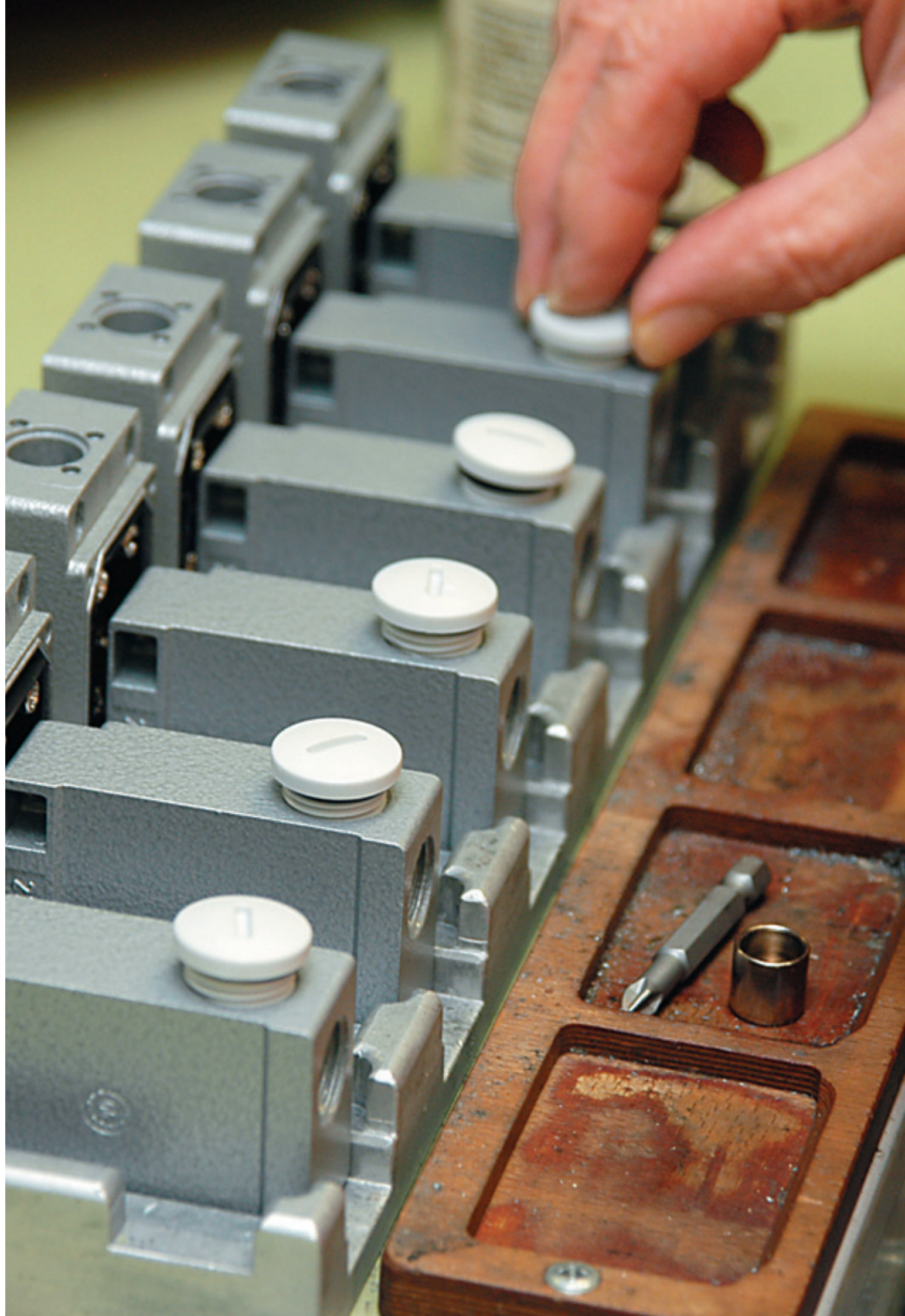
from page 70

// Series ZS 70

from page 72

// Series ZS 71

from page 73



Pull-wire switches

Application

Pull-wire switches are suitable as transducers for starting machines or to open and close electrically-powered doors, gates and barriers.

Design and mode of operation

Pull-wire switches are actuated manually by pulling. There are variants with and without latching. The pull-wire switches without latching generate a switching impulse on actuation. With the devices with latching the switching impulse is maintained until repeated actuation.

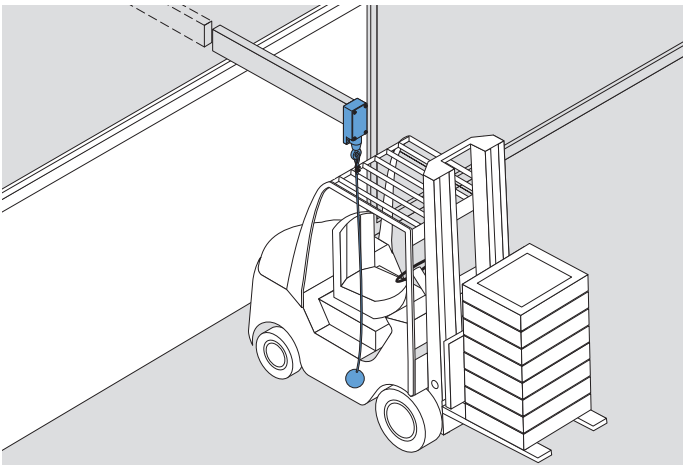
An important feature for the selection of pull-wire switches are the mounting possibilities, wall or ceiling mounting. For your support you find a selection table on the following page.

In the appendix the mounting accessories for pull-wire switches can be selected.

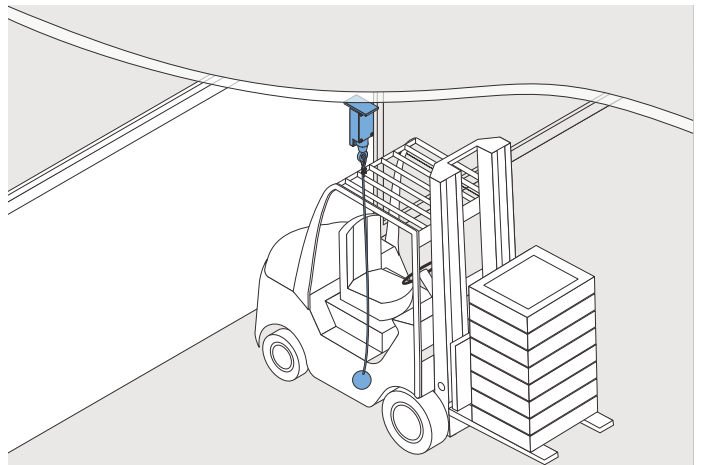
All pull-wire switches presented in this chapter bear the CE mark according to the Low Voltage Directive 06/95/EC.

Application

Wall mounting as door opener



Ceiling mounting



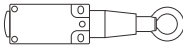
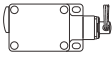
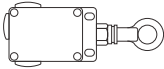
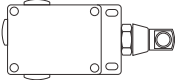
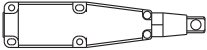
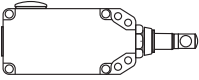


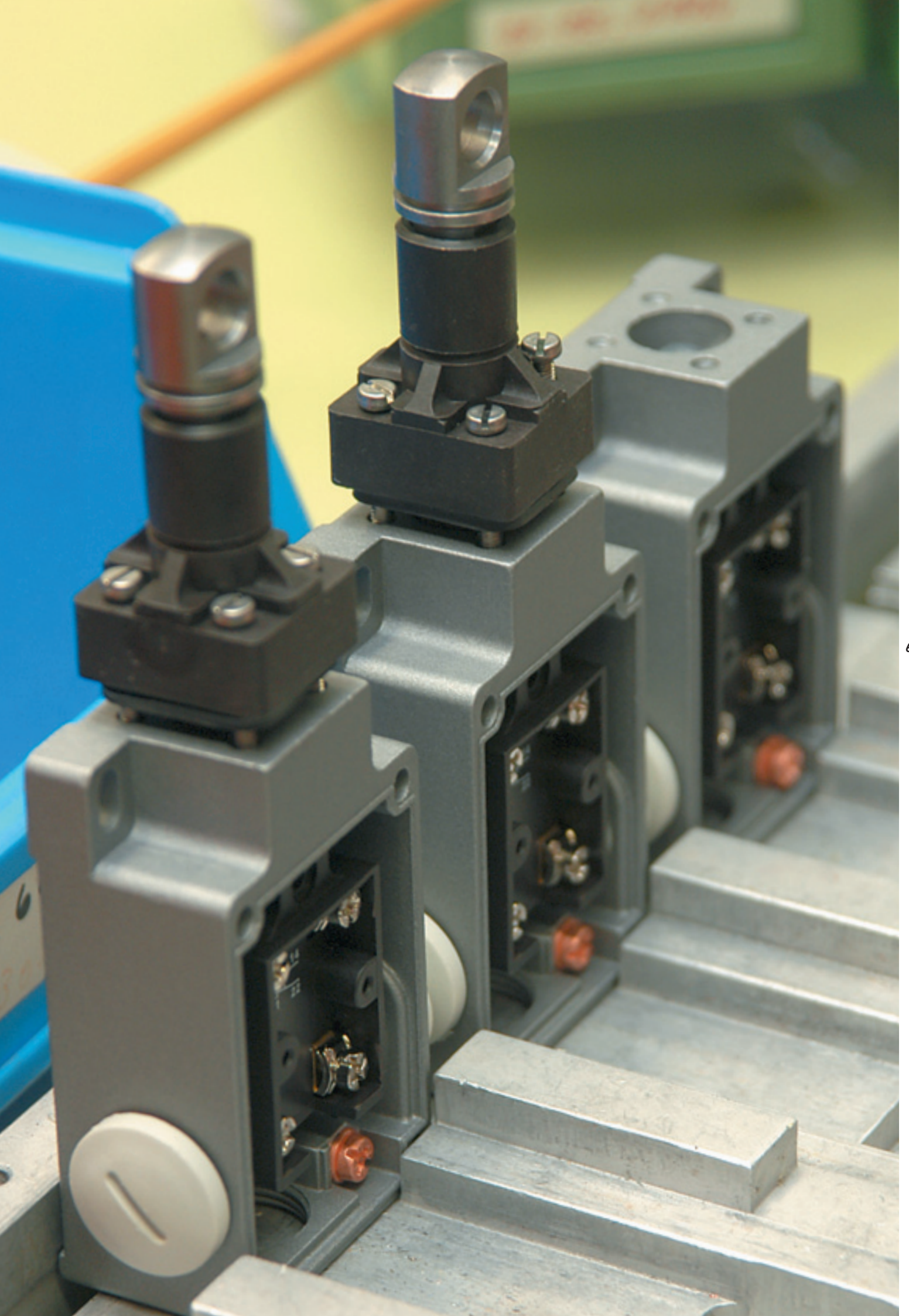
Selection table

Pull-wire switches

// Series

// Mounting possibilities

		↓	↓	
				
ES/EM 95 Z, on page 62 - Thermoplastic enclosure - Ceiling or wall mounting		X	X	
ES 51 Z, on page 64 - Metal enclosure - Wall mounting		X	-	
ES/EM 41 Z, on page 66 - Metal enclosure - Ceiling or wall mounting		X	X	
ES/EM 61 Z, on page 70 - Metal enclosure - Ceiling or wall mounting		X	X	
ZS 70, on page 72 - Thermoplastic enclosure - Wall mounting		X	-	
ZS 71, on page 73 - Metal enclosure - Wall mounting		X	-	



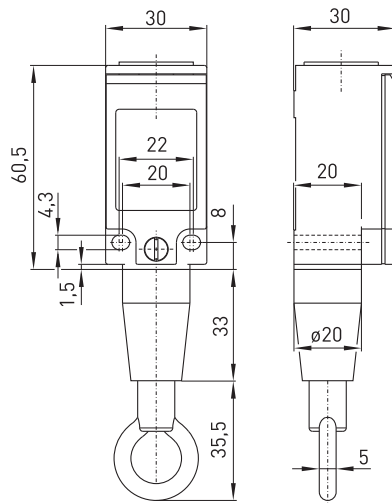
Pull-wire switches

// Series ES 95 Z

Features/Options

- Thermoplastic enclosure
- Wall mounting
- Slow action: 2 contacts
- Horizontal slotted mounting holes
- Double insulated

// ES 95 Z



Technical data

Standards	IEC/EN 60947-5-1
Design	DIN EN 50 047
Enclosure	glass-fibre reinforced, shockproof thermoplastic, self-extinguishing UL 94-V0
Degree of protection	IP 67 to IEC/EN 60529
Contact material	silver
Switching elements	change-over contact with double break, galvanically separated contact bridges
Switching system	slow action, positive break NC contacts ⊖ to IEC 60947-5-1
Connection	screw terminals
Cable section	max. 2.5 mm ² (incl. conductor ferrules)
Cable entry	1 x M20 x 1.5
U _{imp}	4 kV
U _i	400 V
I _{the}	6 A
Utilisation category	AC-15; DC-13
I _e /U _e	6 A/400 VAC; 0,25 A/230 VDC
Max. fuse rating	6 A gL/gG D-fuse
Mech. life	> 1 million operations
Switching frequency	1800/h
Ambient temperature	- 20 °C ... + 80 °C
Contact opening	2 x 3.5 mm
Actuating force	20 N
Features	pull-wire function
Approvals	

Contact variants: switch travel/contacts

1 NC/1 NO contact	Slow action
	ES 95 Z 10/1S

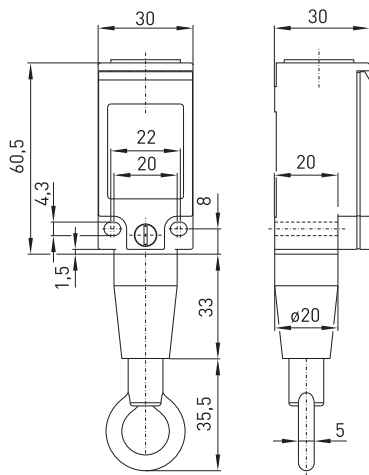
Ordering details

ES 95 Z 10/1S

- 1 NC/1 NO contact
- Z Actuator towing eye
- Series
- S Slow action

Pull-wire switches
 // Series ES 95 Z, variants

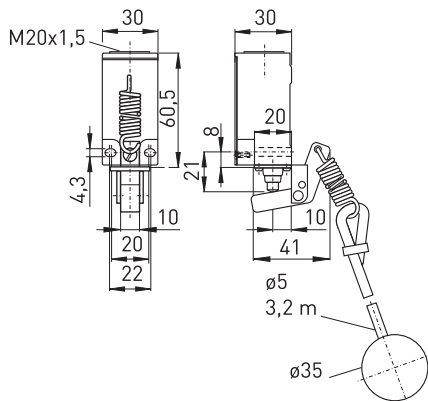
//ES 95 Z



Slow action
 ES 95 Z 1Ö/1S
 ES 95 Z 2S

Order Number
 95041001
 95641001

// ES 95 WH/90° 1Ö/1S



Features/Options

- Suitable for wall- and ceiling mounting
- Version for door/gate opening ES 95 WH/90° 1Ö/1S:
 including 3.2 m long nylon pull-wire and rubber ball,
 slow action 1 NC/1 NO contact

Slow action
 ES 95 WH/90° 1Ö/1S-3,2m

Order Number
 95014910

Pull-wire switches

// Series ES 51 Z

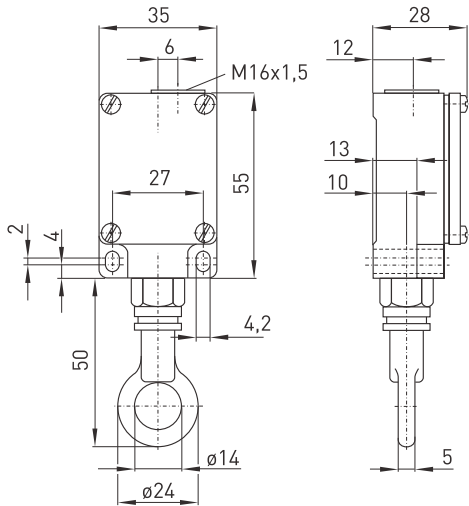
- Features/Options
- Metal enclosure
 - Wall mounting
 - Slow action: 2 contacts
 - Small design
 - Pull-wire function

// ES 51 Z



Technical data

Standards	IEC/EN 60947-5-1
Enclosure	aluminium die-cast, enamel finish
Cover	steel, enamel finish
Degree of protection	IP 65 to IEC/EN 60529
Contact material	silver
Switching elements	change-over contact with double break with galvanically separated contact bridges
Switching system	slow action
Connection	M3 screw terminals
Cable section	max. 2.5 mm ² (incl. conductor ferrules)
Cable entry	1 x M16 x 1.5
U _{imp}	4 kV
U _i	400 V
I _{the}	4 A
Utilisation category	AC-15
I _e /U _e	4 A/400 VAC
Max. fuse rating	4 A gL/gG D-fuse
Ambient temperature	-20 °C ... +80 °C
Mech. life	> 1 million operations
Switching frequency	3600/h
Actuating force	max. 40 N
Features	pull-wire function
Approvals	



Contact variants: switch travel/contacts

	Slow action
1 NC/1 NO contact	ES 51 Z 10/1S

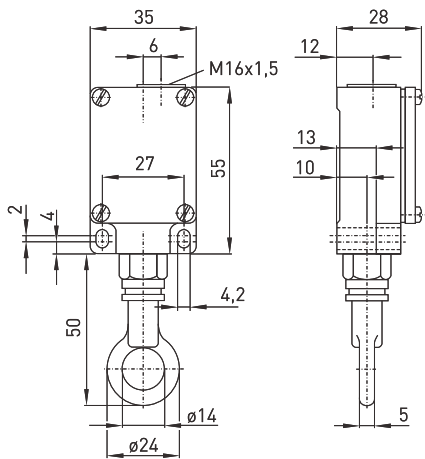
Ordering details

ES 51 W Z 10/1S

- 1 NC/1 NO contact
- Z Actuator towing eye
- W Collar
- Series
- S Slow action

Pull-wire switches
// Series ES 51 Z, Varianten

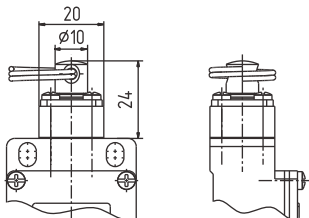
//ES 51 Z



Slow action
ES 51 Z 10/1S

Order Number
51041001

// Collar W



Features/Options
- Collar W to protect against the entry of foreign bodies

Collar/Slow action
ES 51 WZ 10/1S

Order Number
51042001

Pull-wire switches

// Series ES/EM 41 Z

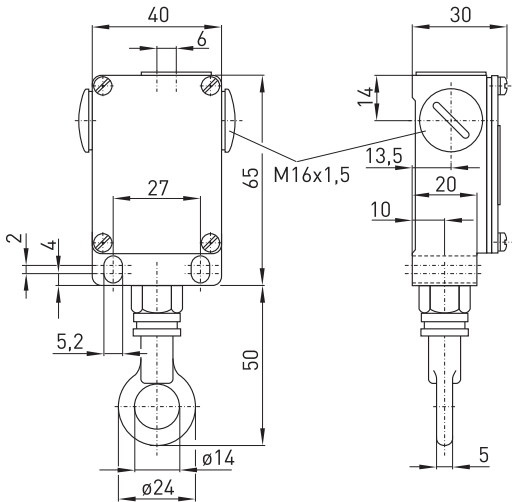
- Features/Options
- Metal enclosure
 - Wall or ceiling mounting
 - Slow or snap action: 2 contacts
 - Pull-wire function

// ES/EM 41 Z



Technical data

Standards	IEC/EN 60947-5-1
Enclosure	aluminium die-cast, enamel finish
Cover	steel, enamel finish
Degree of protection	IP 65 to IEC/EN 60529
Contact material	silver
Switching elements	change-over or 2 NO contacts with double break and galvanically separated contact bridges
Switching system	slow or snap action
Connection	M3.5 screw terminals
Cable section	max. 2.5 mm ² (incl. conductor ferrules)
Cable entry	3 x M16 x 1.5
U _{imp}	4 kV
U _i	400 V
I _{the}	10 A
Utilisation category	AC-15
I _e /U _e	6 A/400 VAC
Max. fuse rating	6 A gL/gG D-fuse
Ambient temperature	-20 °C ... +80 °C
Mech. life	> 1 million operations
Switching frequency	3600/h
Actuating force	max. 45 N
Features	pull-wire function
Approvals	



Contact variants: switch travel/contacts

	Snap action	Slow action
1 NC/1 NO contact	EM 41 Z 10/1S 	ES 41 Z 10/1S
2 NO contacts		ES 41 Z 2S

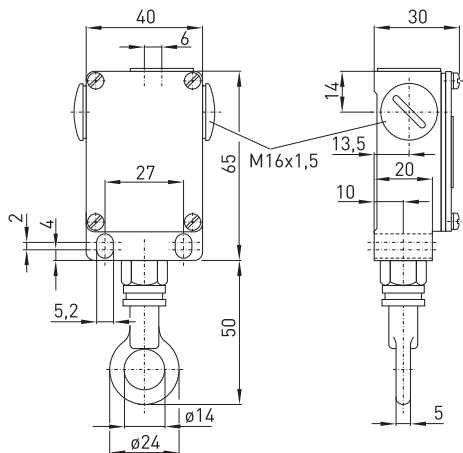
Ordering details

ES 41 W Z 10/1S DM

- DM Ceiling mounting, including ceiling mounting plate
- 1 NC/1 NO contact, (2S 2 NO contacts)
- Z Actuator towing eye
- W Collar
- Series
- S Slow action (M snap action)

Pull-wire switches
 // Series ES/EM 41 Z, Varianten

// ES/EM 41 Z



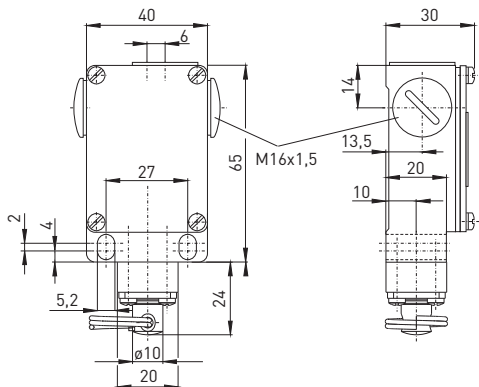
Slow action
 ES 41 Z 10/1S
 ES 41 Z 2S

Order Number
 41041001
 41641001

Snap action
 EM 41 Z 10/1S

Order Number
 41141001

// Collar W



Features/Options
 - Watertight collar for protection against penetration of dirt

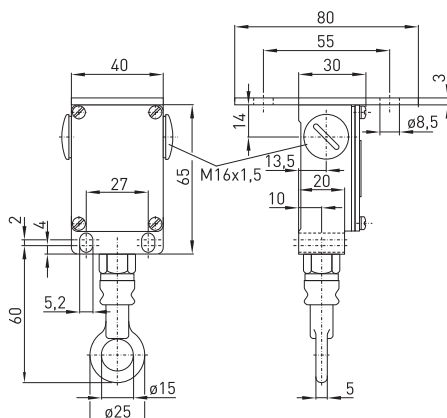
Collar/Slow action
 ES 41 WZ 10/1S order No. 41042001
 ES 41 WZ 2S order No. 416421001

Order Number

Collar/Snap action
 EM 41 WZ 10/1S order No. 41142001

Order Number

// Ceiling mounting DM



Features/Options
 - Version for ceiling mounting with mounting plate

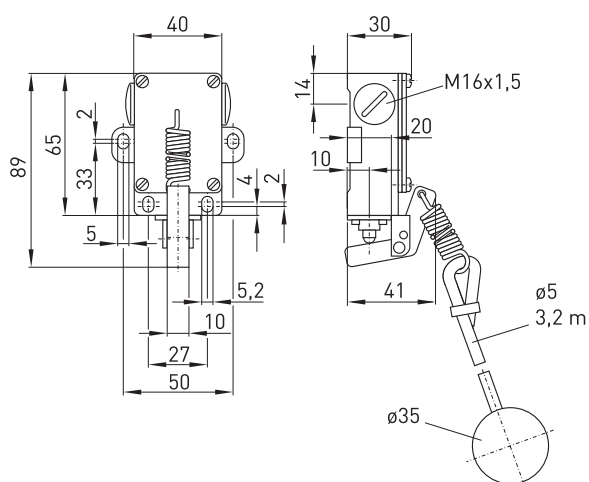
Ceiling mounting/Slow action
 ES 41 Z 10/1S ceiling mounting DM

Order Number
 41041922

Pull-wire switches

// Series ES/EM 41 Z, Varianten

// ES 41 WH/90° 1Ö/1S



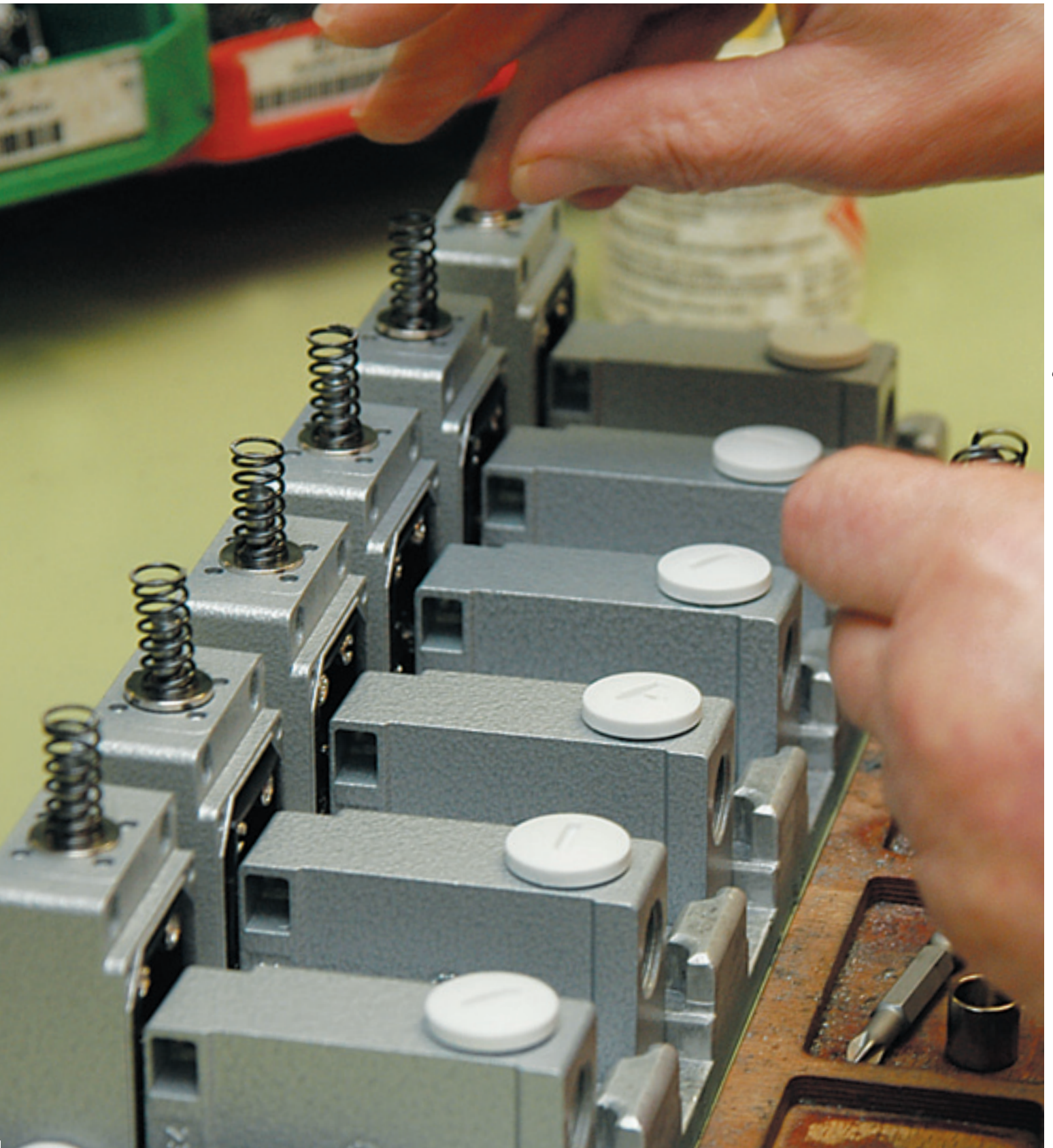
Features/Options

- Version for ceiling and wall mounting ES 41 WH/90° 1Ö/1S
- Version for door/gate opening ES 41 WH/90° 1Ö/1S:
including 3.2 m long nylon pull-wire with rubber ball,
including mounting screws and rawlplugs, metal enclosure with
thermoplastic cover, slow action 1 NC/1 NO contact

Slow action
ES 41 WH/90° 1Ö/1S-3,2 mit

Order Number
41014916

PRODUCTION PROCESS ASSEMBLY
MOUNTING OF PULL-WIRE SWITCHES



Pull-wire switches

// Series ES/EM 61 Z

Features/Options

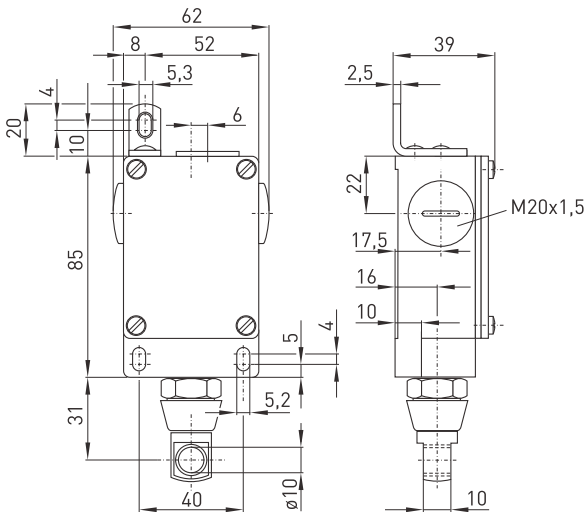
- Metal enclosure
- Wall or ceiling mounting
- Slow or snap action: 2 contacts
- Pull-wire function
- Ex version available

// ES/EM 61 Z



Technical data

Standards	IEC/EN 60947-5-1
Enclosure	aluminium die-cast, enamel finish
Cover	steel, enamel finish
Degree of protection	IP 65 to IEC/EN 60529
Contact material	silver
Switching elements	change-over or 2 NO contacts with double break and galvanically separated contact bridges
Switching system	slow or snap action
Connection	M3.5 screw terminals
Cable section	max. 2.5 mm ² (incl. conductor ferrules)
Cable entry	3 x M16 x 1.5
U_{imp}	6 kV
U_i	400 V
I_{the}	10 A
Utilisation category	AC-15
I_e/U_e	ES 61: 16 A/400 VAC, EM 61: 6 A/400 VAC
Max. fuse rating	ES 61: 16 A gL/gG D-fuse EM 61: 6 A gL/gG D-fuse
Ambient temperature	-20 °C ... +80 °C
Mech. life	> 1 million operations
Switching frequency	3600/h
Actuating force	max. 50 N
Features	pull-wire function
Approvals	



Contact variants: switch travel/contacts

	Snap action	Slow action
1 NC/1 NO contact	EM 61 Z 10/1S 	ES 61 Z 10/1S
2 NO contacts		ES 61 Z 2S

Ordering details

ES 61 W Z 10/1S DM

- DM Ceiling mounting, including ceiling mounting plate
- 1 NC/1 NO contact, (2S 2 NO contacts)
- Z Actuator towing eye
- W Collar
- Series
- S Slow action (M snap action)

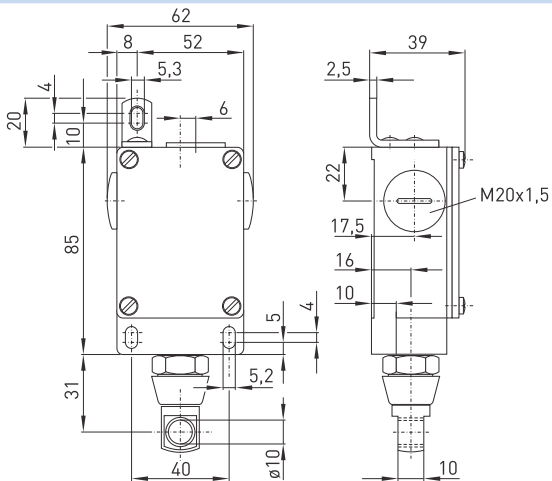
Pull-wire switches

// Series ES/EM 61 Z, Varianten

Features/Options

- Version for wall mounting with mounting angle
- Indicator lamps for various voltages are indicated in chapter accessories in the appendix

// ES/EM 61 Z



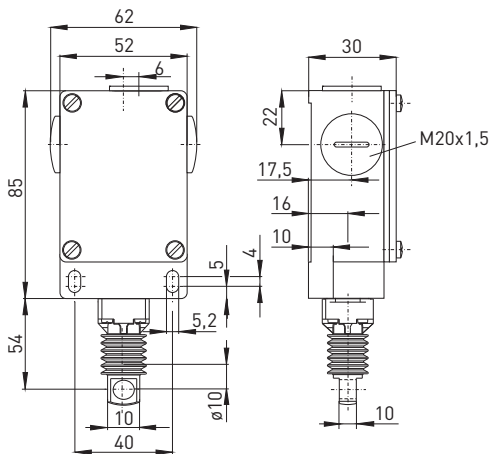
Slow action
ES 61 Z 10/1S
ES 61 Z 2S

Order Number
61041001
61641001

Snap action
EM 61 Z 10/1S

Order Number
61141001

// Collar W



Features/Options

- Watertight collar for protection against penetration of dirt

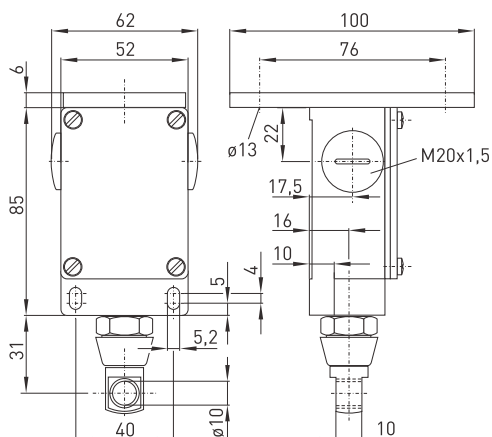
Collar/Slow action
ES 61 Z 10/1S
ES 61 Z 2S

Order Number
61042001
61642001

Collar/Snap action
EM 61 Z 10/1S

Order Number
61142001

// Ceiling mounting DM



Features/Options

- Version for ceiling mounting with mounting plate

Ceiling mounting/Slow action
ES 61 Z 10/1S Deckenbefestigung

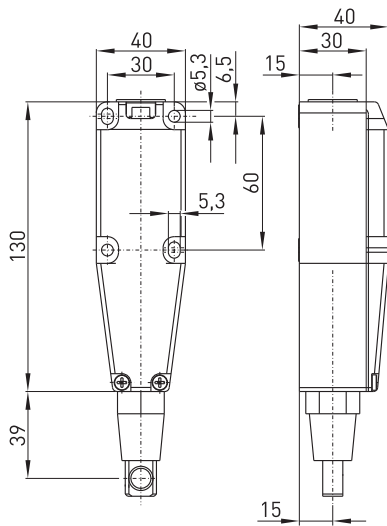
Order Number
61041910

Pull-wire switches

// Series ZS 70 Z

- Features/Options
- Thermoplastic enclosure
 - Wall mounting
 - Snap action: 2 contacts
 - Pull-wire function

// ZS 70 Z



Technical data

Standards	IEC/EN 60947-5-1
Design	mounting dimensions to DIN EN 50041
Enclosure	glass-fibre reinforced, shockproof thermoplastic, ultramid
Cover	glass-fibre reinforced, shockproof thermoplastic, ultramid
Degree of protection	IP 67 to IEC/EN 60529
Contact material	silver
Switching elements	change-over contact with double break with galvanically separated contact bridges
Switching system	snap action, positive break NC contacts ⊖ to IEC 60947-5-1
Connection	screw terminals
Cable section	max. 2.5 mm ² (incl. conductor ferrules)
Cable entry	1 x M20 x 1.5
U _{imp}	6 kV
U _i	400 V
I _{the}	6 A
Utilisation category	AC-15
I _e /U _e	6 A/400 VAC
Max. fuse rating	6 A gL/gG D-fuse
Ambient temperature	-10 °C ... +70 °C
Mech. life	> 1 million operations
Switching frequency	1800/h
Actuating force	max. 85 N
Features	pull-wire function
Approvals	

Contact variants: switch travel/contacts

	Snap action	Order No.
1 NC/1 NO contact	ZS 70 Z 10/1S 	70141002

Ordering details

ZS 70 Z 10/1S
 1 NC/1 NO contact
 Z Actuator towing eye
 Series
 Pull-wire switch


Pull-wire switches

// Series ZS 71 Z

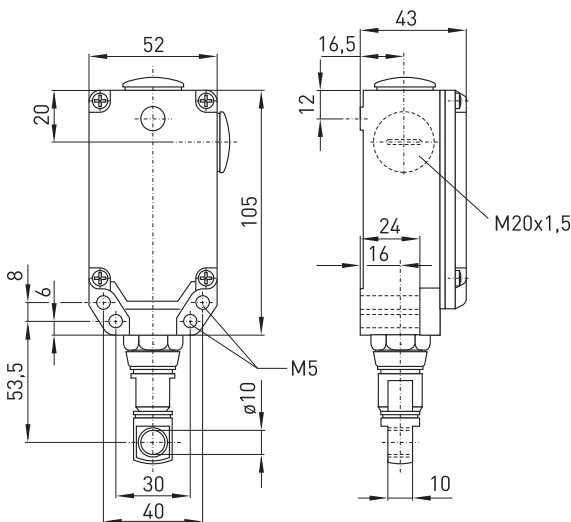
Features/Options

- Metal enclosure
- Wall mounting
- Slow or snap action: 2 contacts
- Pull-wire function with or without latching
 - snap action: without latching
 - slow action: with latching
- Collar W to protect against the entry of foreign bodies
- Indicator lamps for various voltages are indicated in chapter accessories in the appendix


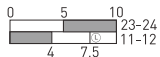
Technical data

Standards	IEC/EN 60947-5-1
Enclosure	aluminium die-cast, enamel finish
Cover	thermoplastic, ultramid
Protection class	IP 65 to IEC/EN 60529
Contact material	silver
Switching elements	change-over contact with double break mit with galvanically separated contact bridges
Switching system	slow or snap action, positive break NC contacts ⊖ to IEC 60947-5-1
Connection	screw terminals
Cable section	max. 2.5 mm ² (incl. conductor ferrules)
Cable entry	2 x M20 x 1.5
U_{imp}	ZS 71 Z: 6 kV, ZS 71 Z RE: 4 kV
U_i	400 V
I_{the}	ZS 71 Z: 6 A ZS 71 Z RE: 4 A
Utilisation category	AC-15
I_e/U_e	ZS 71 Z: 6 A/400 VAC, ZS 71 Z RE: 4 A/400 VAC
Max. fuse rating	ZS 71 Z: 6 A gL/gG D-fuse ZS 71 Z RE: 4 A gL/gG D-fuse
Ambient temperature	-25 °C ... +70 °C
Mech. life	> 1 million operations
Indicator lamp	as option
Switching frequency	1800/h
Actuating force	ZS 71 Z: max. 80 N, ZS 71 Z RE: max. 80 N
Features	pull-wire function with or without latching
Approvals	

// ZS 71 Z



Contact variants: switch travel/contacts

	Snap action	Slow action
1 NC/1 NO contact	ZS 71 Z 10/1S	ZS 71 Z 10/1S RE
		
Order Number	71141919	71041901

Ordering details

ZS 71 W Z 10/1S RE-G

- Indicator lamp, position left side cable entry, see accessories (appendix)
- RE latching
- 1 NC/1 NO contact
- Z Actuator towing eye
- W Collar
- Series
- Pull-wire switch



etf



Slack-wire switches

// Series ES 41 DB
from page 78



Slack-wire switches

Application

Slack-wire switches are suitable for applications with handling equipment. There they are for example mounted at a wire in order to monitor the wire tension.

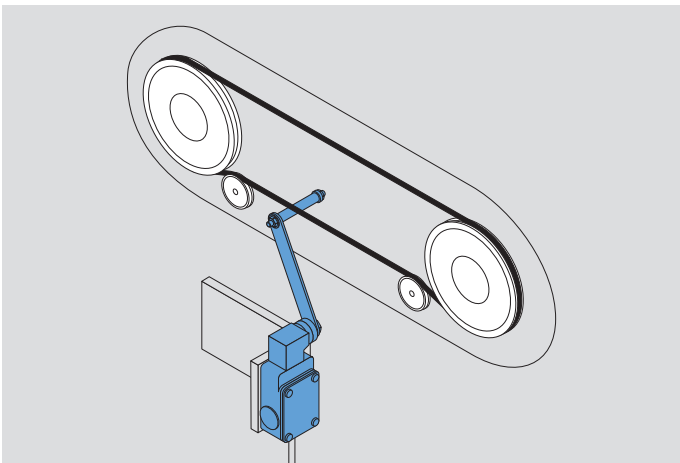
Design and mode of operation

Slack-wire switches monitor the pull-wire tension. With correct tension present, the switch is actuated. In case of wire breakage or stretching of the wire the switch is released and thus switches the system off. In addition, this signal can depending on the construction of the system generate an optical or acoustic indicating or warning signal.

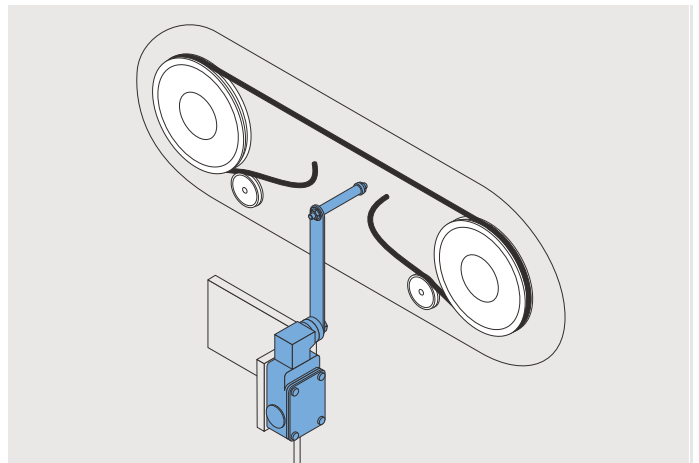
All slack-wire switches presented in this chapter bear the CE mark according to the Low Voltage Directive 06/95/EC.

Application

Monitoring of wire tension



Slack-wire switches in released state after wire breakage

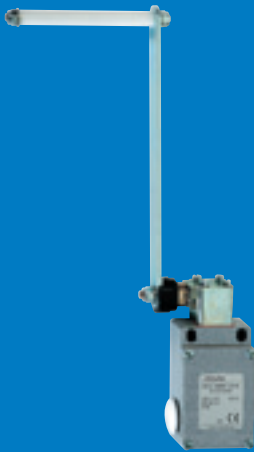


Slack-wire switches

// Series ES 41 DB

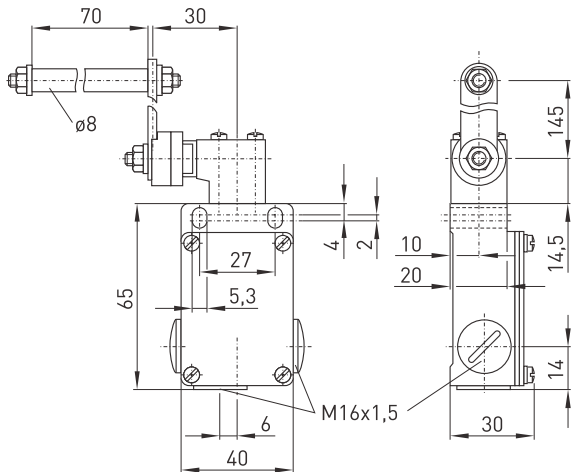
- Features/Options
- Metal enclosure
 - Slow or snap action: 2 contacts
 - Available with various actuating rollers

// ES 41 DB



Technical data

Standards	IEC/EN 60947-5-1
Enclosure	aluminium die-cast, enamel finish
Cover	steel, enamel finish
Degree of protection	IP 65 to IEC/EN 60529
Contact material	silver
Switching elements	change-over contact with double break or 2 NC contacts and galvanically separated contact bridges
Switching system	slow or snap action
Connection	M3.5 screw terminals
Cable section	max. 2.5 mm ² (incl. conductor ferrules)
Cable entry	3 x M16 x 1.5
U_{imp}	4 kV
U_i	400 V
I_{the}	6 A
Utilisation category	AC-15
I_e/U_e	6 A/400 VAC
Max. fuse rating	6 A gL/gG D-fuse
Ambient temperature	-20 °C ... +80 °C
Mech. life	> 1 million operations
Switching frequency	max. 1800/h
Approvals	



Contact variants: switch travel/contacts

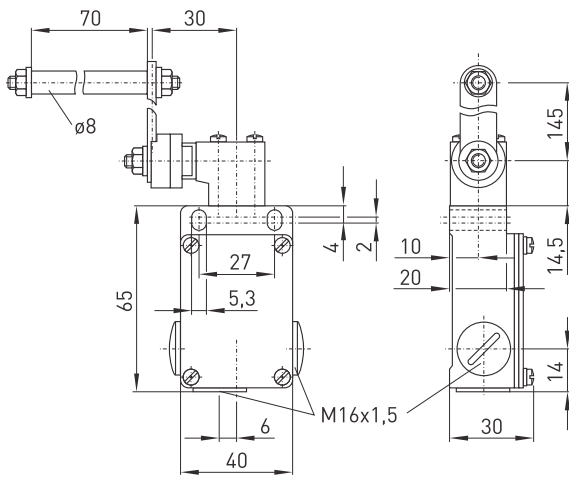
	Snap action	Slow action
1 NC/1 NO contact	EM 41 DB 10/1S 	ES 41 DB 10/1S
2 NC contacts		ES 41 DB 20
1 NC/1 NO contact with overlapping		ES 41 DB UE

Ordering details

EM 41 DB/	10/1S
	1 NC/1 NO contact (2Ö 2 NC contacts, UE contact overlapping), other configurations possible
	DB Slack-wire lever
	Series
	M Snap action (S slow action)

Slack-wire switches
// Series ES 41 DB

// ES 41 DB



Slow action
ES 41 DB/90° 1Ö/1S
ES 41 DB/90° 2Ö
ES 41 DB/90° UE

Order Number
41021903
41521907
41221903

Snap action
EM 41 DB/90° 1Ö/1S

Order Number
41121920

Appendix

// Accessories Emergency pull-wire and pull-wire switches

// Accessories

// Order number

<p>Indicator lamp glow lamp</p> <ul style="list-style-type: none"> - Lamp cap red - M20 x 1.5 - 24 VDC or 230 VAC - Ordering unit: 1 piece 		<p>Indicator lamp glow lamp 24 VDC Indicator lamp glow lamp 230 VAC</p>	<p>01.41.5101 01.41.5100</p>
<p>Indicator lamp Multi-LED red</p> <ul style="list-style-type: none"> - Lamp cap red - M20 x 1.5 - 24 VDC, 115 VAC or 230 VAC - Ordering unit: 1 piece 		<p>Indicator lamp Multi-LED RD 24 VDC Indicator lamp Multi-LED RD 115 VAC Indicator lamp Multi-LED RD 230 VAC</p>	<p>01.41.5105 01.41.5103 01.41.5116</p>
<p>Indicator lamp Multi-LED white</p> <ul style="list-style-type: none"> - Lamp cap white - M20 x 1.5 - 24 VDC, 115 VAC or 230 VAC - Ordering unit: 1 piece 		<p>Indicator lamp Multi-LED WH 24 VDC Indicator lamp Multi-LED WH 115 VAC Indicator lamp Multi-LED WH 230 VAC</p>	<p>01.41.5106 01.41.5104 01.41.5115</p>
<p>Pulley</p> <ul style="list-style-type: none"> - To guide the pull-wire where the path is not a straight line - For pull-wire with red PVC sheath Ø 5 mm (steel core Ø 3 mm) - Ordering unit: 1 piece 		<p>Pulley</p>	<p>04.73.9102</p>
<p>Pull-wire</p> <ul style="list-style-type: none"> - Steel core Ø 3 mm with red PVC sheath - Total diameter 5 mm - Ordering unit: per metre - Available with stainless steel core 		<p>Pull-wire Ø 5 mm per metre Pull-wire stainless steel Ø 5 mm per metre</p>	<p>01.09.0011 01.10.0059</p>
<p>Complete Pull-wire set</p> <ul style="list-style-type: none"> - 5 m pull-wire Ø 3 mm with 2 mm PVC sheath, 2 wire clamps DIN 741, 1 wire thimble DIN 6899, 1 eye bolt DIN 444 and 1 Duplex wire clamp 		<p>Complete pull-wire set, 5 m Complete pull-wire set, 10 m Complete pull-wire set, 15 m Complete pull-wire set, 20 m Complete pull-wire set, 25 m Complete pull-wire set, 50 m</p>	<p>04.61.7101 04.61.7106 04.61.7107 04.61.7118 04.61.7108 04.61.7115</p>
<p>Pull-wire for emergency pull-wire sw.</p> <ul style="list-style-type: none"> - Pull-wire yellow (polypropylene) - 1, 2, 3 or 4 m long - With rubber ball and mounting clamp 		<p>Pull-wire with ball emergency pull-wire sw. 1 m Pull-wire with ball emergency pull-wire sw. 2 m Pull-wire with ball emergency pull-wire sw. 3 m Pull-wire with ball emergency pull-wire sw. 4 m</p>	<p>04.73.7101 04.73.7103 04.73.7104 04.73.7102</p>
<p>Pull-wire for pull-wire switches</p> <ul style="list-style-type: none"> - Pull-wire yellow (polypropylene) - 1, 2, 3 or 4 m long - With rubber ball and Duplex wire clamp - Ordering unit: 1 piece 		<p>Pull-wire with ball pull-wire switches 1 m Pull-wire with ball pull-wire switches 2 m Pull-wire with ball pull-wire switches 3 m Pull-wire with ball pull-wire switches 4 m</p>	<p>04.73.7106 04.73.7107 04.73.7108 04.73.7109</p>
<p>Wire clamp</p> <ul style="list-style-type: none"> - For pull-wire with steel core Ø 3 mm - Ordering unit: 1 piece - Wire clamp made of stainless steel available 		<p>Wire clamp 3 mm Wire clamp 3 mm stainless steel</p>	<p>01.10.0003 01.10.0061</p>

// Accessories

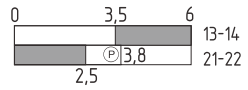
// Order number



<p>Duplex wire clamp - For pull-wire with steel core \varnothing 3 mm - Ordering unit: 1 piece</p>		<p>Duplex wire clamp 01.10.0004</p>
<p>Egg-shaped wire clamp - For pull-wire with steel core \varnothing 3 mm - Ordering unit: 1 piece</p>		<p>Egg-shaped wire clamp 3 mm 01.10.0091</p>
<p>Wire thimble 3B - Per DIN 6899 - For pull-wire with steel core \varnothing 3 mm - Wire clamp made of stainless steel available</p>		<p>Wire thimble 3B Wire thimble Niro 01.10.0001 01.10.0084</p>
<p>Eye bolt incl. nut - Per DIN 444 - Available made of stainless steel - Ordering unit: 1 piece</p>		<p>Eye bolt M8x70 with nut Eye bolt M8 x 70 stainless steel Eye bolt BM10 x 40 with nut 04.00.7112 01.03.0210 01.03.0208</p>
<p>Compensation spring/travel limitation - Adaption of length expansions caused by changes in temperature - Stainless steel 1.4310 - Ordering unit: 1 piece</p>		<p>Compensation spring ZS 71-100N Compensation spring ZS 73/75-200N Compensation spring ZS 73/75-400N Compensation spring ZS 73/75 S Compensation spring ZS 80 04.00.7154 04.00.7155 04.00.7157 04.00.7158 04.00.7156</p>
<p>Compensation spring RZ130K for ZS 90 S - Adaption of length expansions caused by changes in temperature - Stainless steel 1.4310 - Ordering unit: 1 piece</p>		<p>Compensation spring RZ-130K 04.76.7101</p>
<p>Tensioner M6 - For precise adjustment of pull-wire pre-stress - Per DIN 1480 - Adjustable von 145 mm bis 225 mm</p>		<p>Tensioner M6 01.10.0010</p>
<p>Tensioner M8 - For precise adjustment of pull-wire pre-stress - Made of stainless steel, adjustable from 160 mm to 255 mm</p>		<p>Tensioner M8 Niro 01.10.0062</p>
<p>Cable tensioner system TS 65 - For pull-wire with steel core \varnothing 4 - 6 mm incl. sheath - Adjustment range max. 65 mm - Diameter of eyebolt min. 8 mm - Pull-wire length max. 75 m</p>		<p>Cable tensioner system TS 65 04.71.7101</p>

Explanation of symbols

-  positive break NC contacts
-  positive break travel/angle
-  latching point
-  wire breakage detection
-  wire pull detection
-  spanner size across flats
-  CSA/UL approval, Canada
-  CCC approval, China
-  Gost approval, Russia
-  Inmetro approval, Brazil
-  TÜV prototype-tested
-  BG prototype-tested
-  conformity to standards, see declaration of conformity
- I_e thermal test current
- I_{the} Thermischer Dauerstrom
- U_e rated operating voltage
- U_i rated insulation voltage
- U_{imp} rated impulse withstand voltage

Explanation of travel diagrams



 Contact open
 Contact closed

X1-X2 NC contact
 X3-X4 NO contact
 X5-X6 contact overlapping

steute develops and manufactures safe switchgear for demanding and critical application. Besides a comprehensive standard range of products for »Wireless, Automation, Extreme and Meditec« applications, we also and increasingly develop customised switchgear for extreme conditions in all four business fields. Some examples: emergency pull-wire

switches for the mining industry, position switches for industrial automation and control panels for laser surgery. Our head office is in Löhne, Westphalia, Germany; worldwide sales are conducted through steute's subsidiaries and trading partners.

steute
Schaltgeräte GmbH & Co. KG
Brückenstraße 91
32584 Löhne, Germany
Phone + 49 (0) 57 31 745-0
Telefax + 49 (0) 57 31 745-200
info@steute.com
www.steute.com