



Emergency pull-wire switch

ZS 441 1Ö/1S VD / 150 N

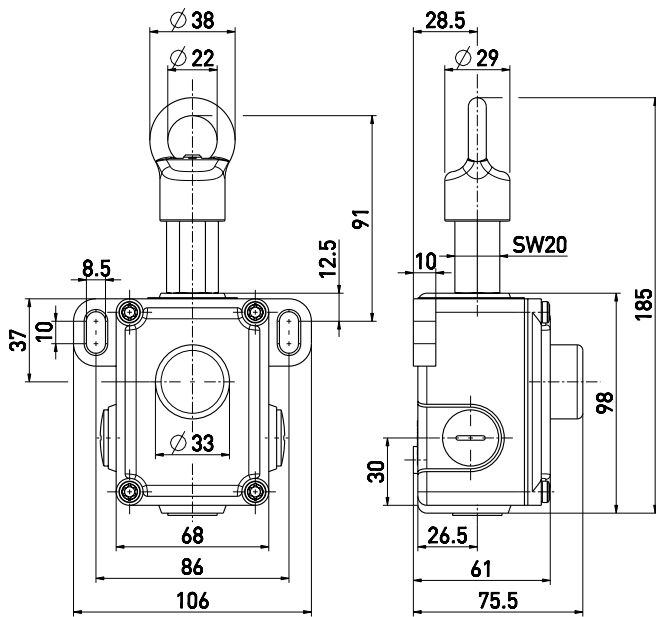
Material number: 1048284 (Material number old: 74141502)

Features/Options

- Metal enclosure
- 2 contacts
- Wire length up to 60 m

- 150 N spring force for max. 60 m
- Release by push-button (VD)
- Wire pull and breakage detection

Dimensions



Technical data

Standards

EN 60947-5-1, -5;
EN ISO 13850; EN ISO 13849-1

Enclosure

aluminium die-cast, enamel finish

Cover

aluminium die-cast, enamel finish

Degree of protection

IP 65 to IEC/EN 60529

Contact material

silver

Switching elements

change-over contact with double break

Switching system

snap action, positive break NC

Connection

screw connection terminals

Cable cross-section

max. 2.5 mm² (incl. conductor ferrules)

Cable entry

3 x M20 x 1.5

B_{10d} (10 % Load)

200 000

T_M

max. 20 years

U_{imp}

6 kV

U_i

400 V

I_{the}

6 A

Utilisation category

AC-15

I_e/U_e

6 A/400 VAC

Max. fuse rating

6 A gG/gN fuse

Ambient temperature

-25 °C ... +70 °C

Mechanical life

> 100 000 operations

Max. wire length

60 m

Features

wire pull and breakage detection

Approvals

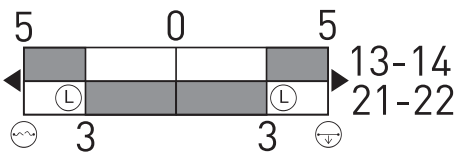


Weight

652 g

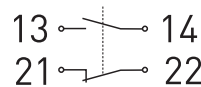
Errors and omissions excepted.

Switching diagram



Snap action, 1 NC/1 NO contact

Contact diagram



Note:

At 5 m distance intermediate wire supports are required. One wire thimble is provided.