



## Bezdrátové univerzální vysílače RF 96 ST SW868 10s status signal Číslo materiálu: 1244324

### Vlastnosti/možnosti

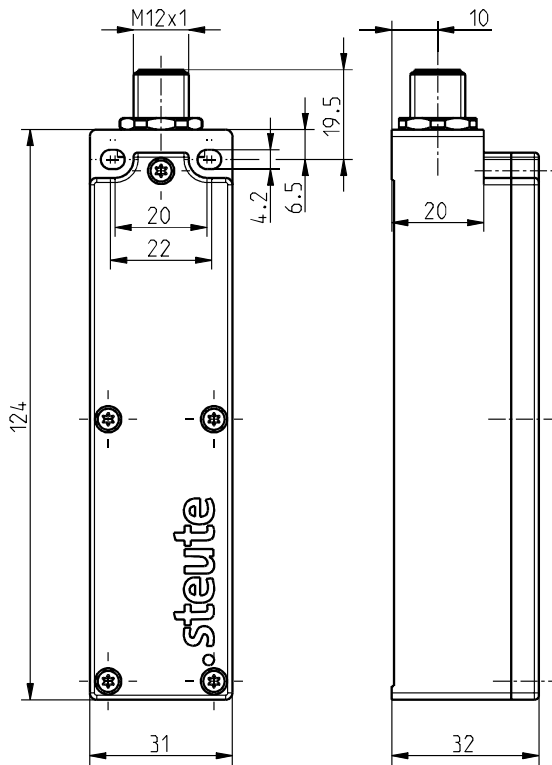
- Thermoplastic enclosure
- Mounting details to EN 50047
- Plug-in connector M12
- sWave® wireless technology

### Note

- Application: For the use with wireless sensors, series RF or external NO contacts with gold contacts

- No wiring and pipe laying required
- Power supply by Lithium battery
- Easy programming of receiver
- Output signal can be individually configured at the receiver

### Rozměry



### Technická data

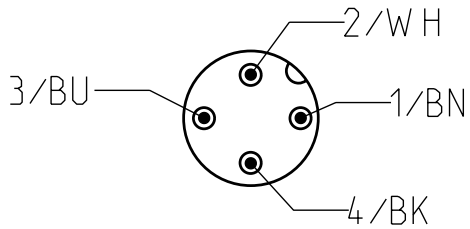
Standards	EN 60947-5-1; EN 61000-6-2; EN 301 489-1; EN 301 489-3; EN 300 220-1, EN 300 220-2
Enclosure	glass-fibre reinforced, shock-proof thermoplastic, self-extinguishing UL 94-V0
Connection	Plug-in connector M12 x 1, 4-poles
Degree of protection	IP 67 to IEC/EN 60529
Protocol	sWave®
Ambient temperature	-20 °C ... +65 °C
Switching frequency	5 Hz
Standby current	15 µA
Voltage supply	Lithium battery (replaceable)
Capacity	8.5 Ah
Frequency	868.3 MHz
Transmission power	< 25 mW
Data rate	66 kbps
Channel bandwidth	266 kHz
Sensing range	max. 450 m outside, max. 40 m inside
Battery life	according to switch frequency, 1 s approx. 780 days, 10 s approx. 1300 days, 100 s approx. 1400 days
Actuating time	min. 80 ms
Switching frequency input	max. 5 Hz
Note	status signal 10 s, transmission of battery voltage and switching condition

Omyly a technické změny vyhrazeny.



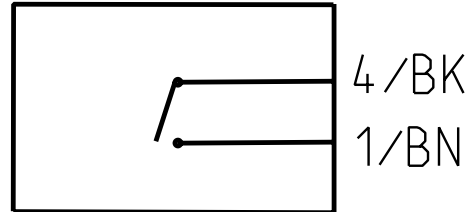
Bezdrátové univerzální vysílače  
RF 96 ST SW868 10s status signal  
Číslo materiálu: 1244324

### Pin assignment



Colour coding only valid for  
Coupling 4-poles mat. no. 1215497 and  
Coupling 4-poles mat. no. 1262873

### External switch contact



### Sensors

