



Bezdrátové polohové spínače

RF 95 W LR SW868

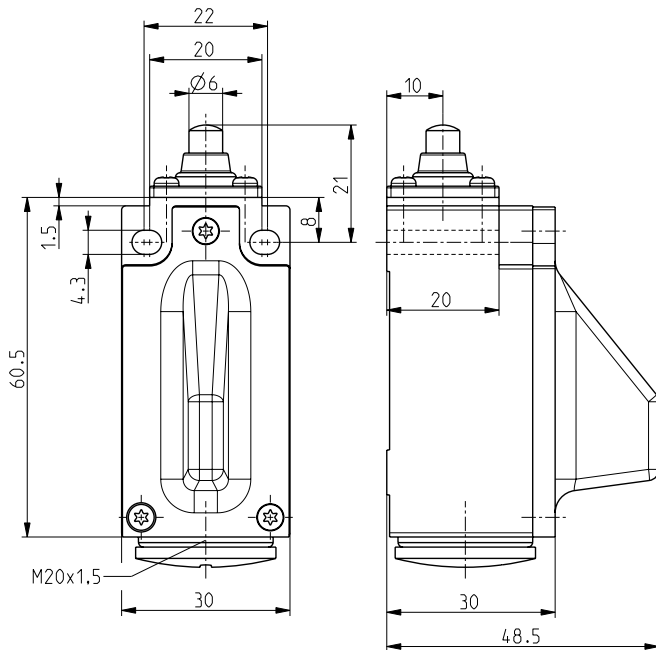
Číslo materiálu: 1188731 (Staré číslo materiálu: 95902001)

Vlastnosti/možnosti

- Thermoplastic enclosure
- Design to EN 50047
- sWave® wireless technology
- No power supply, no wiring and pipe laying required
- Easy programming of receiver

- Output signal can be individually configured at the receiver
- Actuator: Plunger with collar W
- Actuator type B to EN 50047
- Watertight collar for protection against penetration of dirt

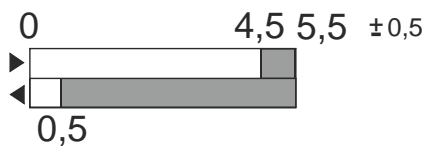
Rozměry



Technická data

Standards	EN 60947-5-1; EN 61000-6-2; EN 301 489-1; EN 301 489-3; EN 300 220-1, EN 300 220-2
Enclosure	glass-fibre reinforced, shock-proof thermoplastic, self-extinguishing UL 94-V0
Cover	Glass-fibre reinforced, shock-proof thermoplastic, self-extinguishing UL 94-V0
Tightening torque	max. 1.2 ... 1.3 Nm
Degree of protection	IP 67 to IEC/EN 60529
Protocol	sWave®
Ambient temperature	-20 °C ... +65 °C
Switching frequency	approx. 12000 telegrams at repetitions/h
Voltage supply	Electrodynamic energy generator
Frequency	868.3 MHz
Transmission power	< 25 mW
Data rate	66 kbps
Channel bandwidth	266 kHz
Sensing range	max. 450 m outside, max. 40 m inside
Mechanical life	> 1 million operations
Actuating time	min. 80 ms

Switching diagram



Omyly a technické změny vyhrazeny.