

## Accessories for security switches

### AZ 15/16-B6

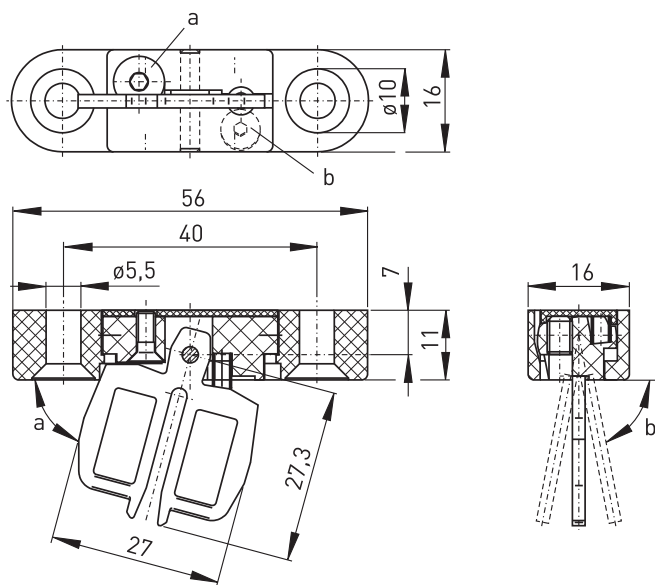
Číslo materiálu: 1175024 (Staré číslo materiálu: 01.08.0218)

#### Vlastnosti/možnosti

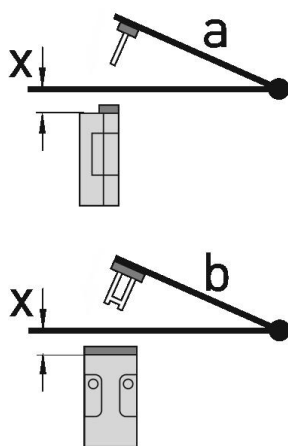
- Actuating radius on hinged guards a = 25 mm and b = 38 mm
- Axial misalignment x = 11 mm

#### Rozměry

Omyly a technické změny vyhrazeny.



#### Actuating radii



- The axis of the hinge should be x mm above the top edge of the safety switch and in the same plane.
- a Actuating radius to the plane of the actuator
- b Actuating radius in line with the plane of the actuator
- x Axial misalignment

Attention! x must be referred to the surface of the enclosure and not to the inserted actuator!