

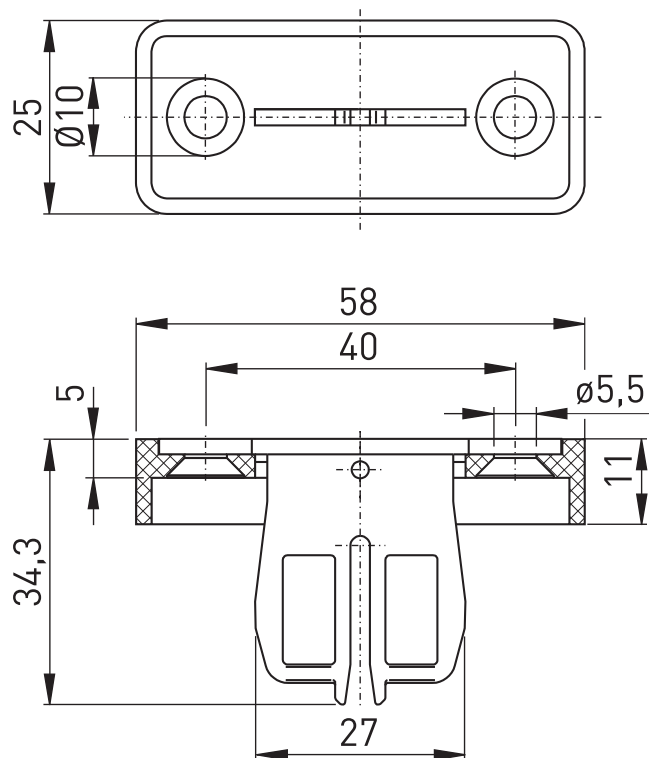
## Accessories for security switches AZ 15/16-B1-2024 with slot lip-seal

Číslo materiálu: 1172955 (Staré číslo materiálu: 01.08.0197)

### Vlastnosti/možnosti

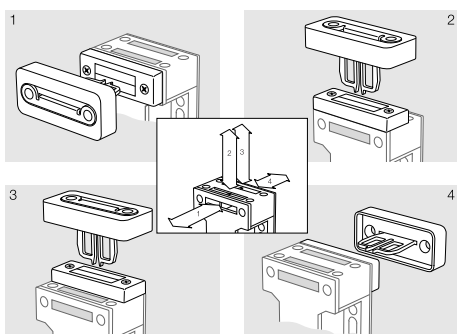
- Actuating radius on hinged guards a = 150 mm and b = 150 mm
- Axial misalignment x = 11 mm
- For protection against the ingress of coarse dirt

### Rozměry

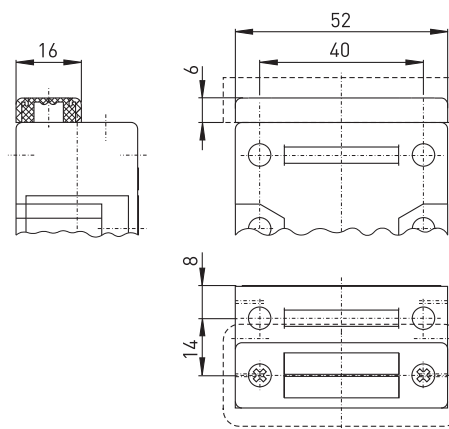


Omyly a technické změny vyhrazeny.

### Actuator with slot lip-seal



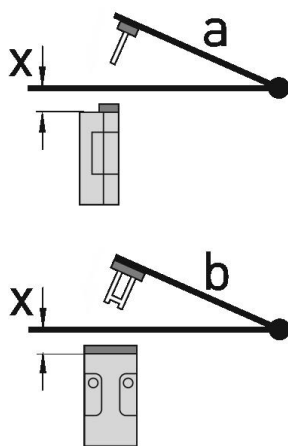
### Slot lip-seal



## Accessories for security switches AZ 15/16-B1-2024 with slot lip-seal

Číslo materiálu: 1172955 (Staré číslo materiálu: 01.08.0197)

### Actuating radii



- The axis of the hinge should be  $x$  mm above the top edge of the safety switch and in the same plane.
- $a$  Actuating radius to the plane of the actuator
- $b$  Actuating radius in line with the plane of the actuator
- $x$  Axial misalignment

Attention!  $x$  must be referred to the surface of the enclosure and not to the inserted actuator!