



Bezpečnostní spínače pro otočná ochranná zařízení

ES 95 T5C 10/1S

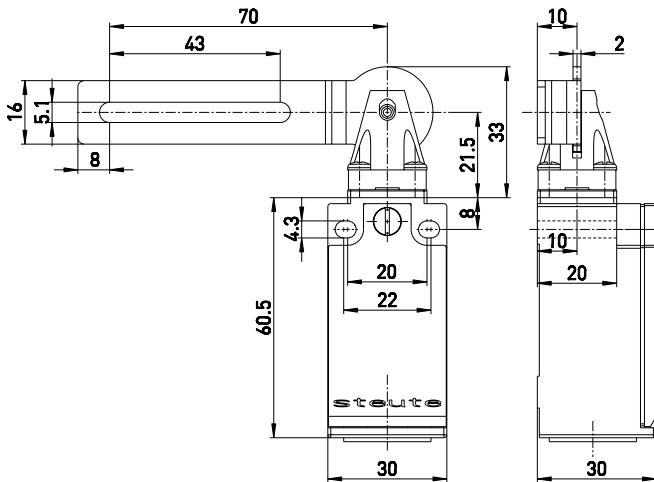
Číslo materiálu: 1179327 (Staré číslo materiálu: 95065001)

Vlastnosti/možnosti

- Thermoplastic enclosure
- Double insulated
- Slow action \ominus , change-over contact with double break
- Cable entry M20 x 1.5

- Wiring compartment
- Design according to EN 50047
- Horizontally slotted mounting holes
- Actuator can be repositioned by 4 x 90°

Rozměry



Technická data

Standards

EN ISO 13849-1; EN 60947-5-1; EN 1088; BG-GS-ET-15

Enclosure

glass-fibre reinforced, shock-proof thermoplastic, self-extinguishing UL 94-V0 stainless steel 1.4301

Actuator

Degree of protection

IP 67 to IEC/EN 60529

Contact material

silver

Switching system

slow action, positive break

Switching elements

NC contacts \ominus
change-over contact with double break Zb, galvanically separated contact bridges

Connection

M3 screw connection terminals

Cable cross-section

max. 1.5 mm²
(incl. conductor ferrules)

B_{10d} (10 % Load)

2 million

T_M

max. 20 years

U_{imp}

4 kV

U_i

400 V

I_{the}

6 A

I_e/U_e

6 A/400 VAC; 0.25 A/230 VDC

Utilisation category

AC-15; DC-13

Max. fuse rating

6 A gG/gN fuse

Ambient temperature

-20 °C ... +80 °C

Mechanical life

> 1 million operations

Approvals



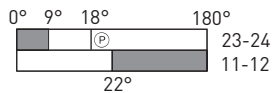
Weight

100 g

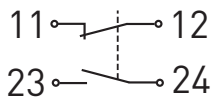
Spínací diagram

Slow action

1 NC/1 NO contact



Schéma



Omyly a technické změny vyhrazeny.