



Emergency pull-wire switch

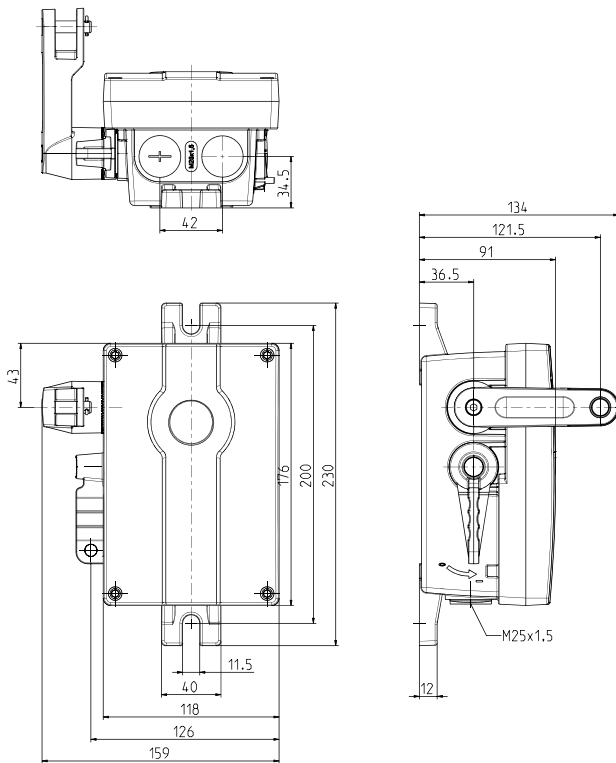
ZS 91 S 20/2S VD -40°C ... +85°C IP66/67 Extreme

Material number: 1189190 (Material number old: 76430502)


Features/Options

- Temperature resistant from -40 °C to +85 °C
- High degree of protection IP 66 / IP 67
- Thermoplastic enclosure
- 4 contacts
- Wire length up to 2 x 100 m
- Release by lever
- Wire pull and breakage detection

Dimensions



Technical data

Standards	EN 60947-5-1, -5; EN ISO 13850; EN ISO 13849-1
Enclosure	glass-fibre reinforced, shock-proof thermoplastic, UV resistant to EN ISO 4892
Cover	glass-fibre reinforced, shock-proof thermoplastic, UV resistant to EN ISO 4892
Tightening torque	cover screws: max. 0.8 Nm, actuator screw: max. 3.3 Nm
Degree of protection	IP 66/67 to IEC/EN 60529
Contact material	silver
Switching elements	2 NC/2 NO contacts with double break
Switching system	snap action, positive break NC contacts ⊖
Connection	screw connection terminals
Cable cross-section	max. 2.5 mm ² (incl. conductor ferrules)
Cable entry	2 x M25 x 1.5
B_{10d} (10 % Load)	80 000
T_M	max. 20 years
U_{imp}	6 kV
I_{the}	6 A
Conditional short-circuit current	1100 A
Utilisation category	AC-15
I_e/U_e	6 A/400 VAC
Max. fuse rating	6 A gG/gN fuse
Ambient temperature	-40 °C ... +85 °C
Mechanical life	> 40 000 operations
Max. wire length	2 x 100 m
Features	wire pull and breakage detection
Approvals	
Weight	1000 g

Errors and omissions excepted.

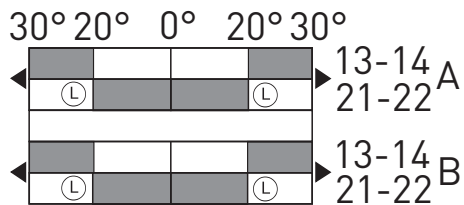


Emergency pull-wire switch

ZS 91 S 2Ö/2S VD -40°C ... +85°C IP66/67 Extreme

Material number: 1189190 (Material number old: 76430502)

Switching diagram



Contact diagram

