



Ex emergency pull-wire switches Ex ZS 73 10/1S WVD / 120-180 N - 3m

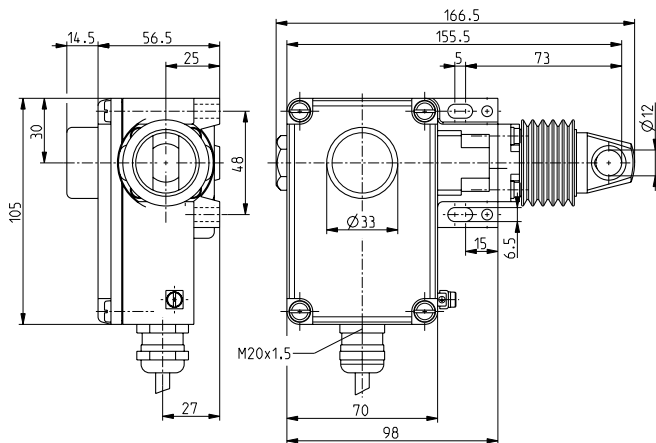
Material number: 1183019 (Material number old: 73042318)

Features/Options

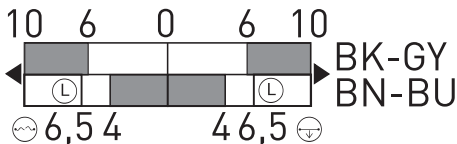
- Ex zone 1 and 21
- 2 contacts
- Wire length up to 130 m
- Adjustable actuating force: 120-180 N

- Release by push-button (VD)
- Wire pull and breakage detection
- Watertight collar W for protection against penetration of dirt
- N.B.: Please state required approvals for Russia, Brazil and North America with your order!

Dimensions



Switching diagram



Note:

At 5 m distance intermediate wire supports are required. One wire thimble is provided.

Technical data

Standards

EN 60947-5-1, -5; EN 60079-0,
EN 60079-1, EN 60079-31;
EN ISO 13850; EN ISO 13849-1

Enclosure Cover

aluminium die-cast, enamel finish
glass-fibre reinforced,
shock-proof thermoplastic,
ultramid

Switch insert

Ex 14

Degree of protection

IP 65 to IEC/EN 60529

Contact material

silver

Switching system

slow action, positive break NC

Switching elements

contacts ⊖
change-over contact with double
break

Connection

cable H05VV-F, length 3 m

Cable cross-section

4 x 0.75 mm² (incl. conductor
ferrules)

B_{10d} (10 % Load)

200 000

T_M

max. 20 years

U_{imp}

4 kV

U_i

250 V

I_{the}

T6: 6 A, T5: 3 A

Utilisation category

AC-15; DC-13

I_e/U_e

6 A/250 VAC; 0.25 A/230 VDC

Max. fuse rating

6 A gG/gN fuse

Ambient temperature

T6: -20 °C ... +65 °C,
T5: -20 °C ... +90 °C

Mechanical life

> 100 000 operations

Max. wire length

130 m

Features

wire pull and breakage detection

Ex marking

⊕ II 2G Ex d IIC T6/T5 Gb,

⊕ II 2D Ex tb IIIC

T80 °C/T95 °C Db

IECEx Ex d IIC T6/T5 Gb,

Ex tb IIIC T80 °C/T95 °C Db

Approvals

PTB 11 ATEX 1003 X

IECEx PTB 07.0034 X



Weight

940 g

Errors and omissions excepted.