



Ex position switch with safety function

Ex 13 F 10/1S - 5m

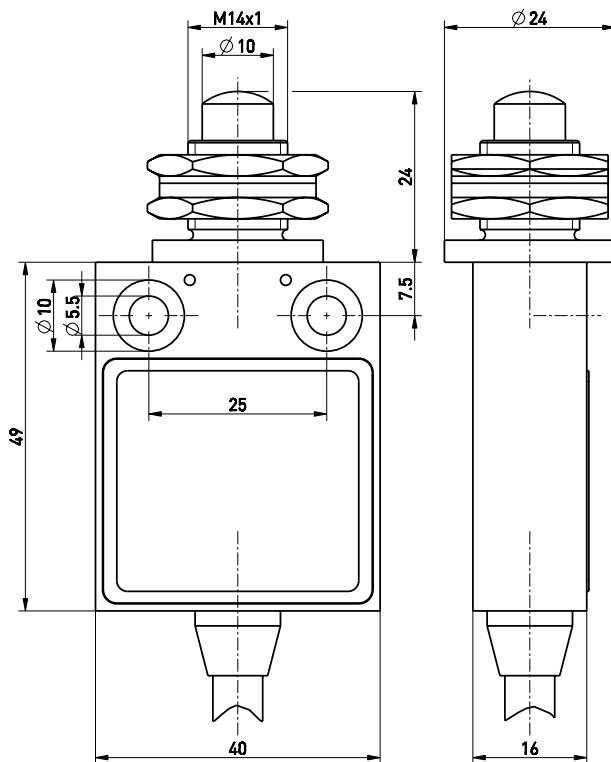
Číslo materiálu: 1045227 (Staré číslo materiálu: 13047902)

Vlastnosti/možnosti

- Ex zone 1 and 21
- Thermoplastic enclosure
- Double insulated
- Slow action \ominus , change-over contact with double break
- Suitable for in-line mounting

- With pre-wired cable, cable length 5 m
- Actuator: Plunger for front mounting F
- Actuating speed max. 0.5 m/s with a vertical actuating angle of 0°
- N.B.: Please state required approvals for Russia, China, Brazil and North America with your order!

Rozměry



Technická data

Standards	EN 60947-5-1; EN 1088; EN 60079-0, EN 60079-1, EN 60079-31; EN ISO 13849-1
Enclosure	glass-fibre reinforced, shock-proof thermoplastic, self-extinguishing UL 94-V0 IP 65 to IEC/EN 60529
Degree of protection	
Contact material	silver
Switching system	slow action, positive break
Switching elements	NC contacts \ominus change-over contact with double break Zb, galvanically separated contact bridges
Connection	cable H05VV-F, 4 x 0.75 mm ²
B _{10d} (10 % Load)	2 million
T _M	max. 20 years
U _{imp}	4 kV
U _i	250 V
I _{the}	T6: 6 A, T5: 3 A
I _e /U _e	6 A/250 VAC; 0.25 A/230 VDC
Utilisation category	AC-15; DC-13
Max. fuse rating	6 A gG/gN fuse
Ambient temperature	T6: -20 °C ... +65 °C, T5: -20 °C ... +95 °C
Mechanical life	> 1 million operations
Frequency of operation	1800/h
Repeat accuracy of switching points	± 0.1 mm
Contact gap	max. 2 x 4 mm
Ex marking	Ex II 2G Ex d IIC T6/T5 Gb, Ex II 2D Ex tb IIIC T80 °C/T95 °C Db IP65 IECEX Ex d IIC T6/T5 Gb, Ex tb IIIC T80 °C/T95 °C Db IP65
Approvals	PTB 03 ATEX 1068 X IECEX PTB 06.0053X
Weight	470 g

Omyly a technické změny vyhrazeny.



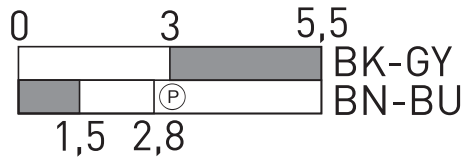


Ex position switch with safety function

Ex 13 F 10/1S - 5m

Číslo materiálu: 1045227 (Staré číslo materiálu: 13047902)

Switching diagram



Contact diagram

