



## Position switch EM 14 FR - 2m

Číslo materiálu: 1174494 (Staré číslo materiálu: 14751002)

### Vlastnosti/možnosti

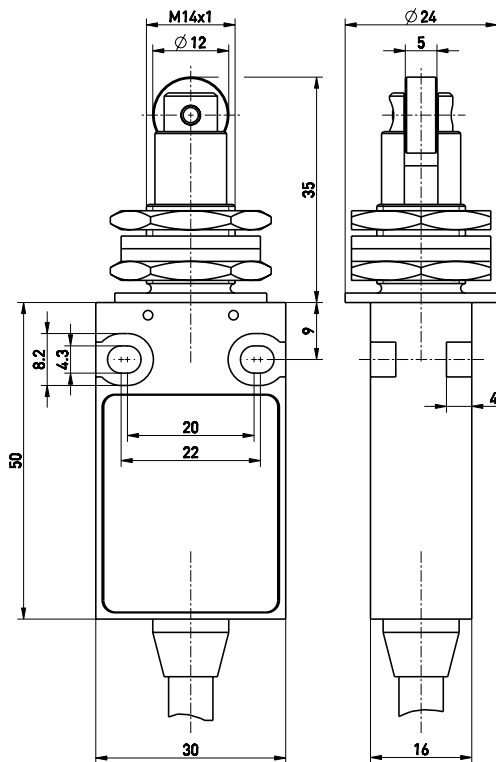
- Thermoplastic enclosure
- Double insulated
- Snap action, change-over contact with single break
- Mounting details to EN 50047
- Suitable for in-line mounting

- With pre-wired cable, cable length 2 m
- Actuator: Roller plunger for front mounting FR
- Actuating speed max. 0.5 m/s with a vertical actuating angle of 25°
- Metal roller

### Note

- Actuator can be repositioned by 90° on request

### Rozměry

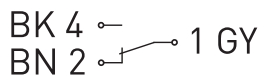


### Technická data

<b>Standards</b>	EN 60947-5-1
<b>Enclosure</b>	glass-fibre reinforced, shock-proof thermoplastic, self-extinguishing UL 94-V0
<b>Degree of protection</b>	IP 67 to IEC/EN 60529
<b>Contact material</b>	silver
<b>Switching system</b>	snap action
<b>Switching elements</b>	change-over contact with single break
<b>Connection</b>	pre-wired cable H05VV-F
<b>Cable cross-section</b>	3 x 0.75 mm <sup>2</sup>
<b>U<sub>imp</sub></b>	4 kV
<b>U<sub>i</sub></b>	250 V
<b>I<sub>the</sub></b>	5 A
<b>I<sub>e</sub>/U<sub>e</sub></b>	5 A/250 VAC; 0.16 A/230 VDC
<b>Utilisation category</b>	AC-15; DC-13
<b>Max. fuse rating</b>	5 A gG/gN fuse
<b>Ambient temperature</b>	-20 °C ... +75 °C
<b>Mechanical life</b>	> 1 million operations
<b>Frequency of operation</b>	1800/h
<b>Repeat accuracy of switching points</b>	± 0.1 mm
<b>Contact gap</b>	max. 2 x 4 mm
<b>Approvals</b>	
<b>Weight</b>	218 g

Omyly a technické změny vyhrazeny.

### Contact diagram



### Switching diagram

