



Bezpečnostní senzory

RC Si M30 10/1S - 10m

Číslo materiálu: 1189541 (Staré číslo materiálu: 23000902)

Vlastnosti/možnosti

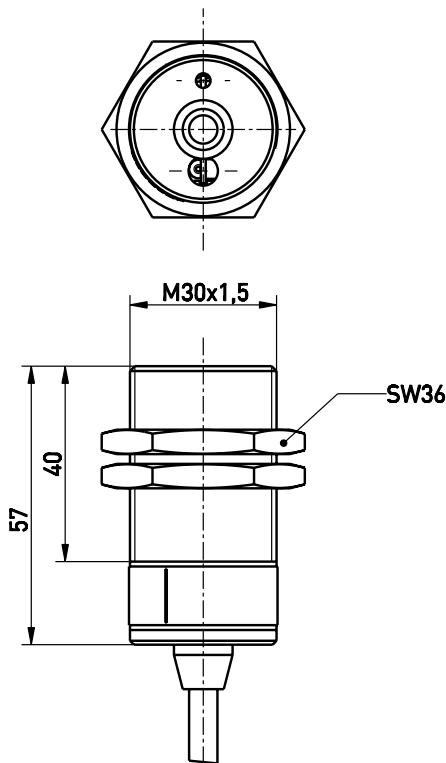
- Metal enclosure
- Long life
- Reed contacts, coded

- Actuation from front
- Switching distance up to 8 mm
- With pre-wired cable

Note

- The actuator is not included in the delivery of the switches

Rozměry



Technická data

Standards

EN ISO 13849-1;
EN 60947-5-2;
EN 60947-5-3/PDF-M*;
EN 954-1; EN 1088

Enclosure

brass, nickeled

Degree of protection

IP 67 to IEC/EN 60529

Switching system

reed contacts

Switching elements

1 NC/1 NO contact

Connection

pre-wired cable H03VV-F

Cable cross-section

4 x 0.5 mm²

Cable length

10 m

Safety-relevant data:

EN 954-1

Category 4 *

EN ISO 13849-1

PL e *

B_{10d} (10 % Load)

1 million

T_M

max. 20 years

MTTF_d

> 100 years

U_e

max. 30 VDC

I_e

max. 157 mA DC

Voltage drop at I_{max}

3.15 V

Short-circuit current

max. 750 mA for 50 ms

Switching frequency

max. 5 Hz

Degree of pollution

3

Safety class

II

Ambient temperature

-20 °C ... +70 °C

Mechanical life

> 10 million operations

Repeatability

< 0.5 mm

Switching distances:

S_{ao}

8 mm

S_{ar}

24 mm

Approvals



on request

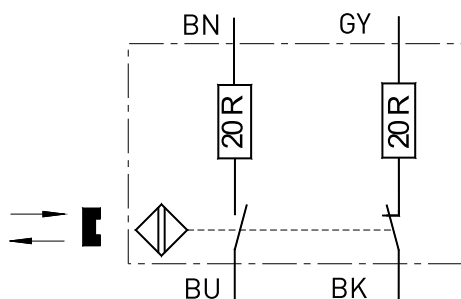
* is only achieved in combination with a safety module

Weight

696 g

Omyly a technické změny vyhrazeny.

Schéma





Bezpečnostní senzory

RC Si M30 1Ö/1S - 10m

Číslo materiálu: 1189541 (Staré číslo materiálu: 23000902)

Axial misalignment

