



## Foot switch metal enclosure GFK 2Ö/2S

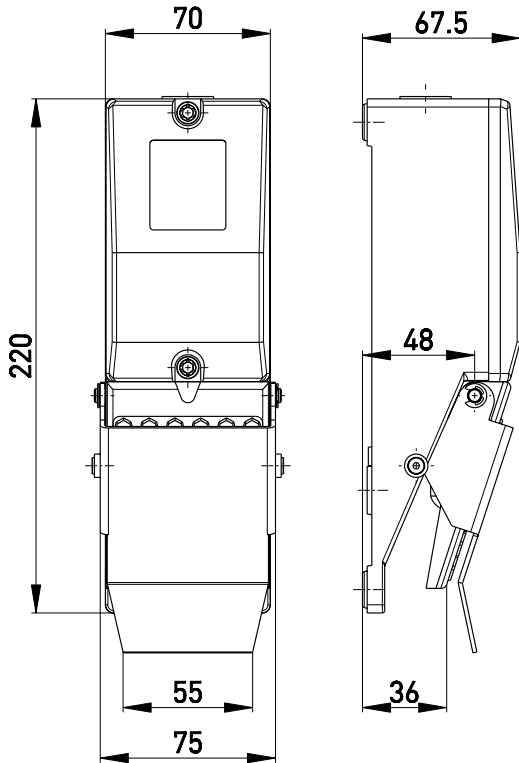
Material number: 1048515 (Material number (old): 81103801)

### Features/Options

- Metal enclosure
- High level of stability
- Low pedal height

- Wiring compartment
- With pedal cover K to protect against unintentional or accidental activation of the foot switch

### Dimensions



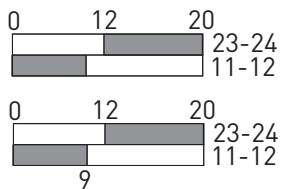
### Technical data

<b>Standards</b>	EN ISO 13849-1; EN 60947-5-1
<b>Enclosure</b>	aluminium die-cast, enamel finish, RAL 5011
<b>Cover</b>	glass-fibre reinforced thermoplastic
<b>Pedal</b>	glass-fibre reinforced thermoplastic
<b>Connection</b>	screw terminals
<b>Cable cross-section</b>	max. 2.5 mm <sup>2</sup> (incl. conductor ferrules)
<b>Cable entry</b>	1 x M20 x 1.5
<b>Contact material</b>	silver
<b>Degree of protection</b>	IP 65 to IEC/EN 60529
<b>Switching system</b>	slow action with double break, positive break NC contacts ⊖
<b>Switch insert</b>	2 x ES 40 GF
<b>B<sub>10d</sub> (10 % Load)</b>	2 million
<b>T<sub>M</sub></b>	max. 20 years
<b>Utilisation category</b>	AC-15
<b>I<sub>e</sub>/U<sub>e</sub></b>	6 A/400 VAC
<b>Max. fuse rating</b>	6 A gG/gN fuse
<b>Ambient temperature</b>	-25 °C ... +80 °C
<b>Mechanical life</b>	> 1 million operations
<b>Approvals</b>	
<b>Weight</b>	792 g

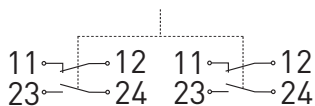
### Switching diagram

#### Slow action

2 NC/2 NO contacts



### Contact diagram



Errors and omissions excepted.